

Features:



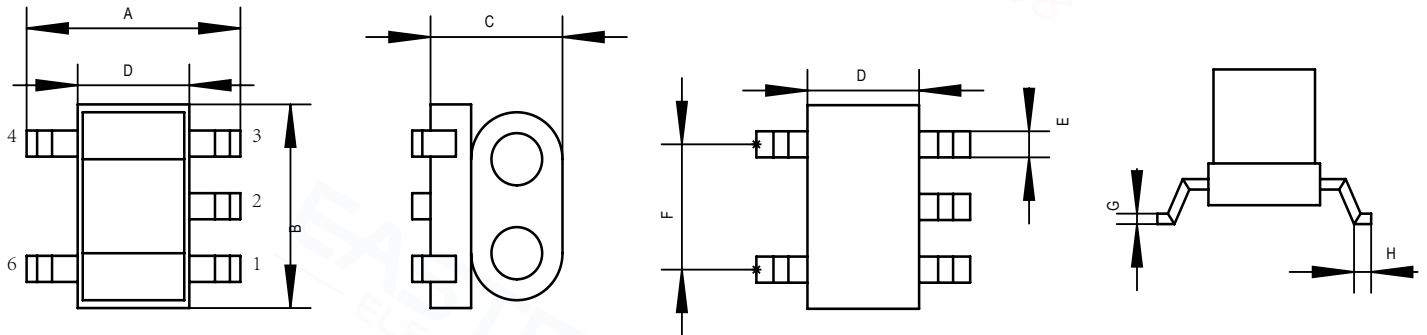
- ◆ 1:1CT Impedance
- ◆ Impedance: 50 Ω & 75 Ω
- ◆ Frequency: 5 to 200 MHz
- ◆ RF power: 0.5W
- ◆ DC current: 300mA
- ◆ Operating temperature range: -40°C to +85°C
- ◆ Storage temperature range: -55°C to +100°C



Applications:

- ◆ For broadband and wireless communications
- ◆ For VHF/UHF receivers/transmitters and push-pull amplifiers

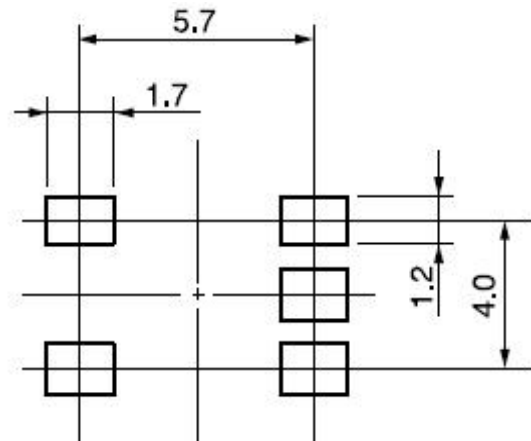
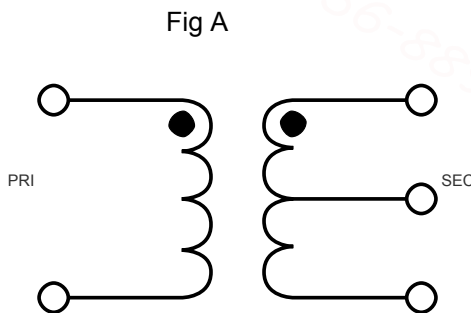
Dimension Diagram (Unit:mm) :



A=6.20±0.20 B=6.00±0.20 C=4.30±0.20 D=4.00±0.20 E=0.60±0.10 F=4.00±0.10 G=0.25±0.10 H=0.50±0.10

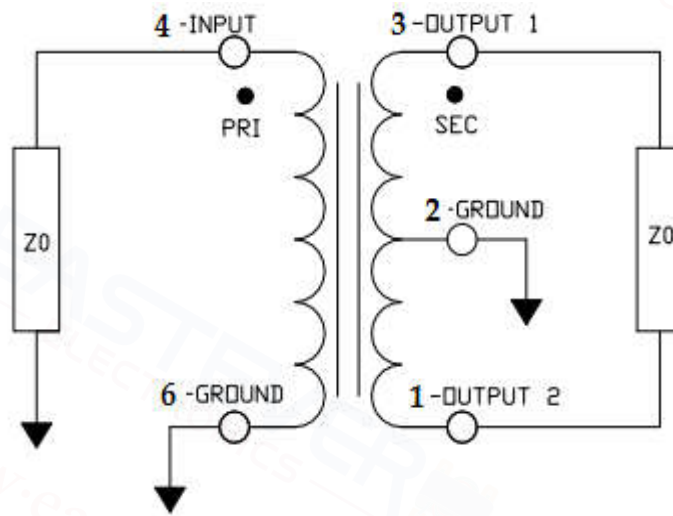
Electrical structure:

Recommended layout:



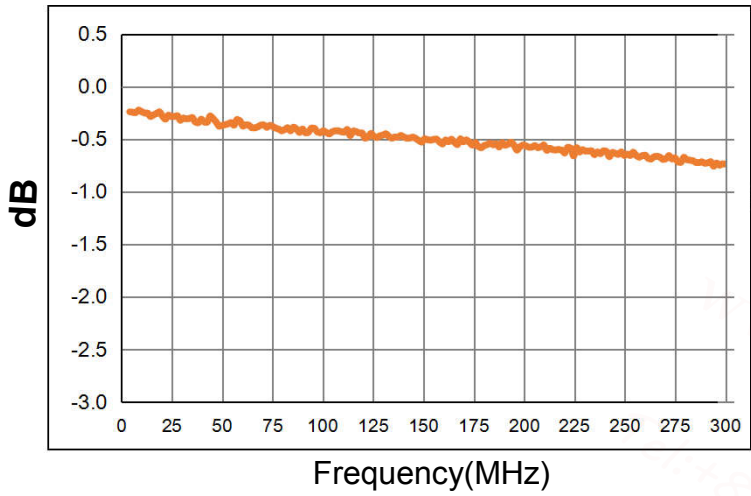
Pin configuration:

Pin No.	Function
1	Output2
2	Ground
3	Output1
4	Input
6	Ground

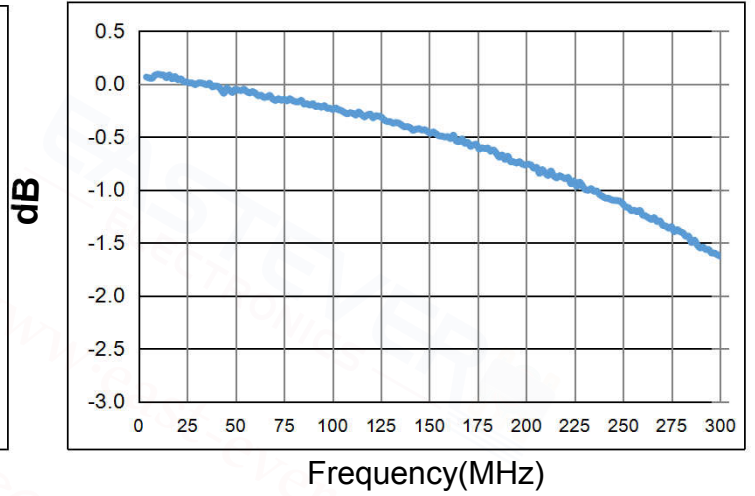
Application circuit :**Electrical Specifications: TA=25°C, 0dBm, Z0=75Ω:**

Parameter	Test Conditions	Units	Min	Typ	Max
Main line Loss(out1)	5-200MHz	dB	—	0.5	1.0
Main line Loss(out2)	5-150MHz	dB	—	0.8	2.0
Main line Loss(out2)	150-200MHz	dB	—	0.7	2.0
Amplitude Balance	5-200MHz	dB	—	0.3	±0.5
Phase Balance	5-200MHz	Degrees	—	2.0	±7.0
Input Return Loss	5-200MHz	dB	8.0	20.0	—

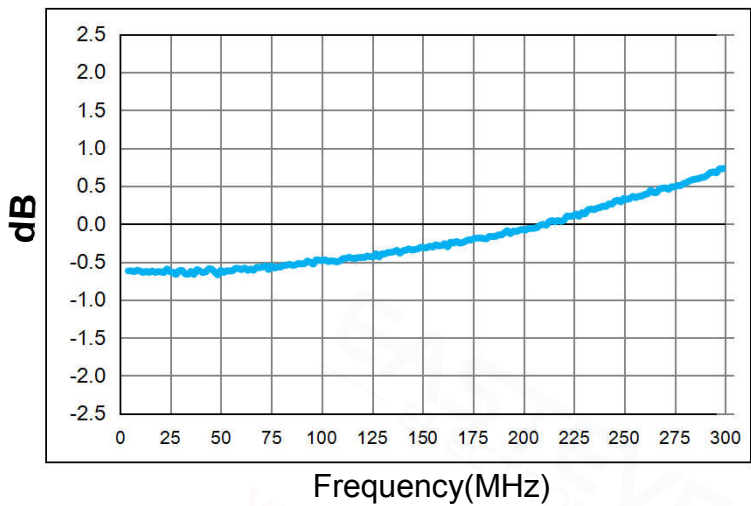
Main line Loss(out1)



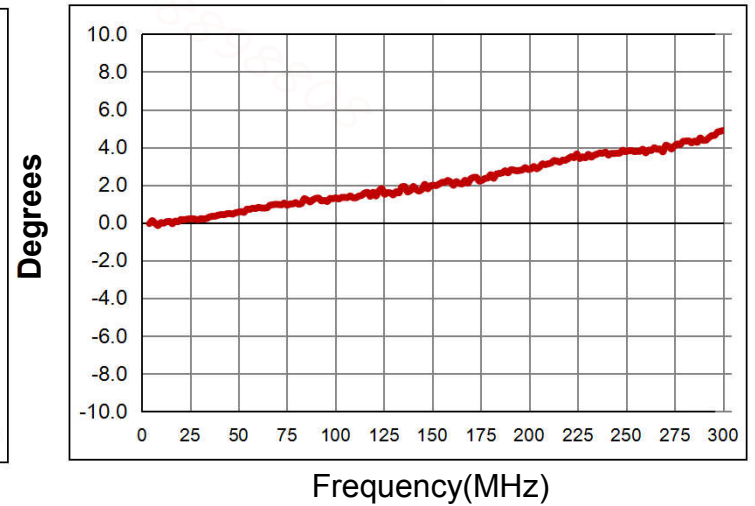
Main line Loss(out2)



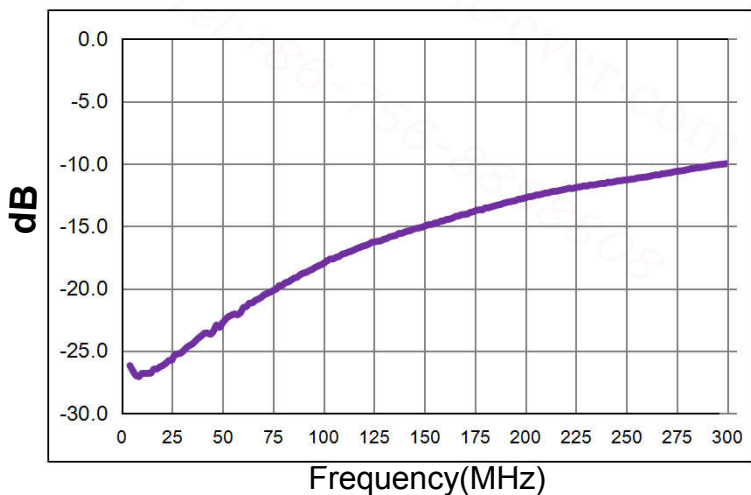
Amplitude Balance



Phase Balance

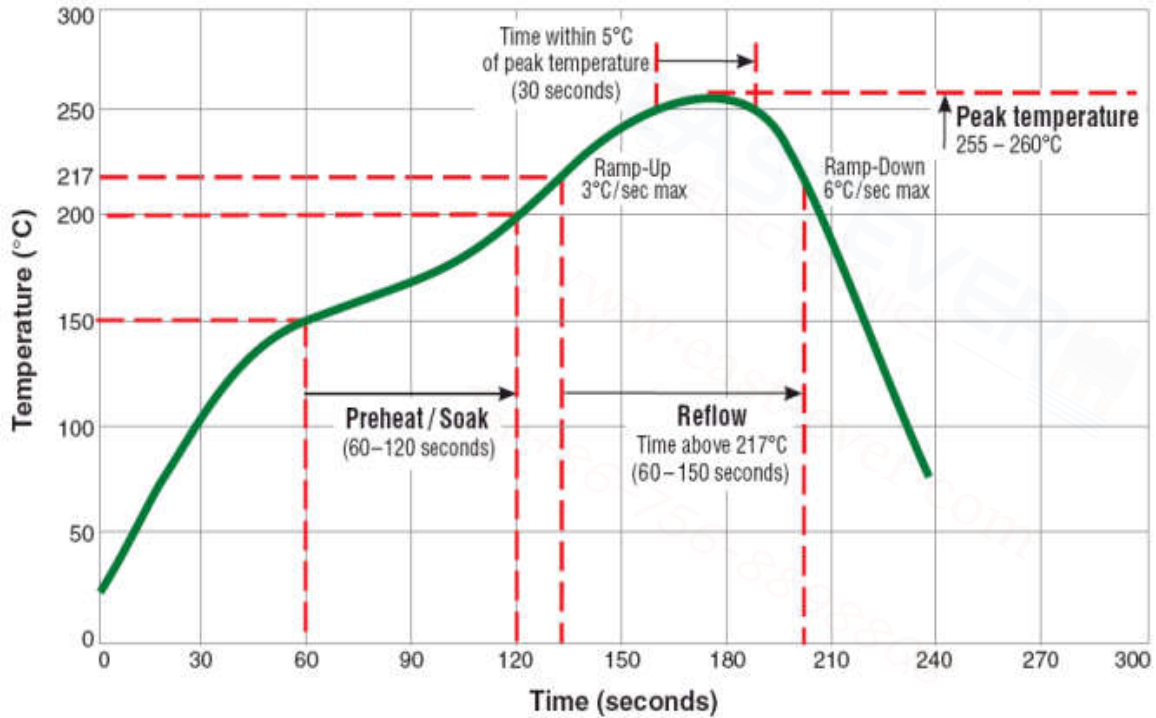


Input Return Loss

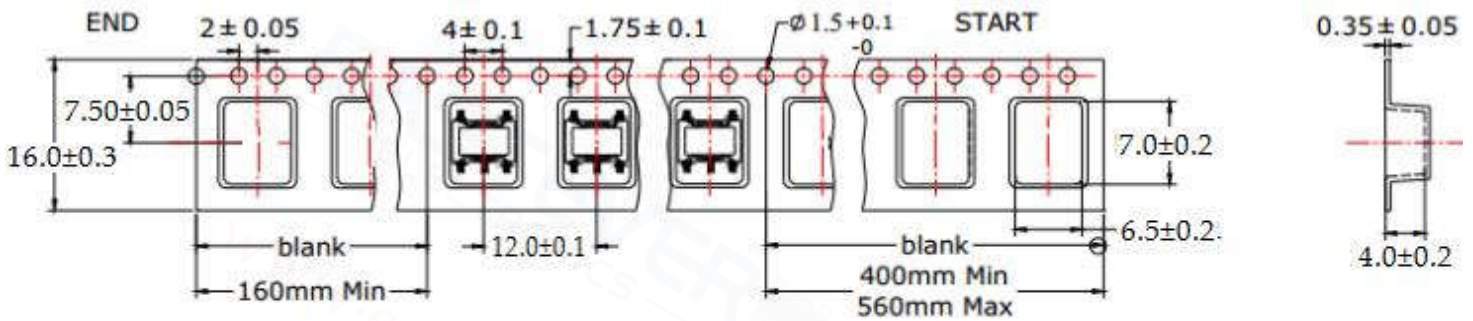


Recommended Soldering Temperature Graph:

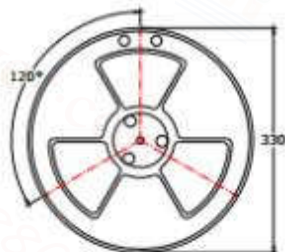
Typical RoHS Reflow Profile



Packaging Dimension For Caeier Tape(UNIT:mm):



QUANTITY
1000PCS/Reel
3Reels/Middle Carton Middle Carton:
4 Middle Cartons/Big Carton
12000PCS/ Big Carton



SPEC	8	12	16	24
DIM A±0.1	8.5	12.5	16.5	24.5
DIM B±0.1	2.3	2.3	2.3	2.3
DIM C±0.1	100	100	100	100

