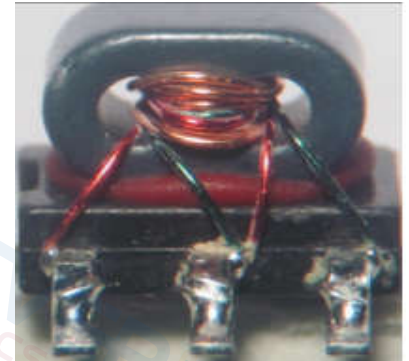


Features::

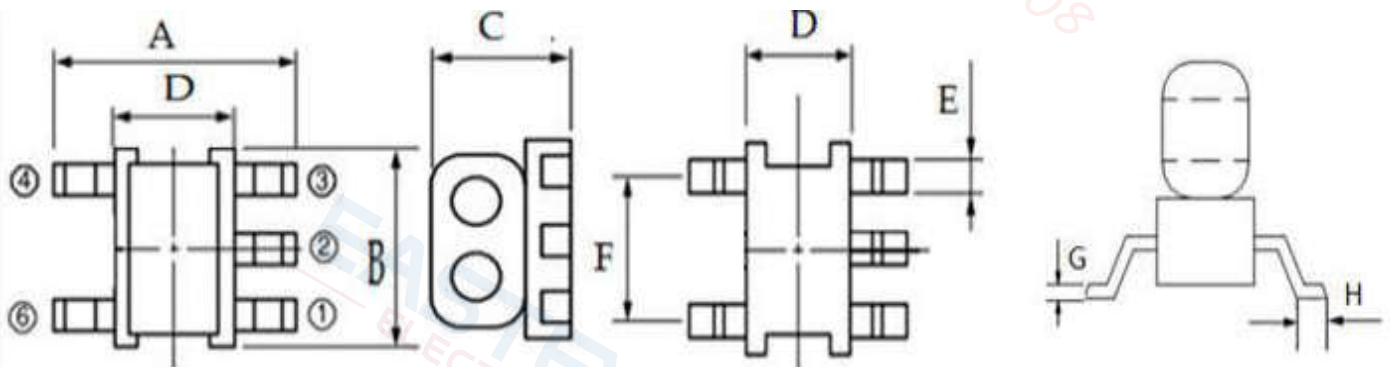
- ◆ Equivalent to: TOKO #B5F-458PT-2002
- ◆ 75 Ω Characteristic Impedance
- ◆ Frequency: 5 to 100 MHz
- ◆ RF power: 250mW
- ◆ DC current: 450mA
- ◆ Operating temperature range: -40°C to +85°C
- ◆ Storage temperature range: -55°C to +100°C



Applications:

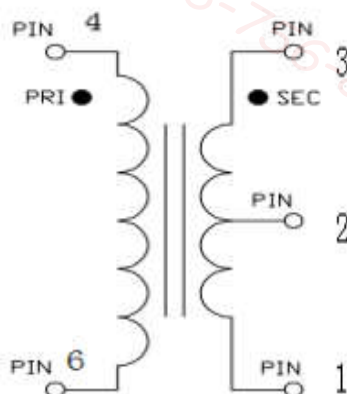
- ◆ For broadband and wireless communications
- ◆ For VHF/UHF receivers/transmitters and push-pull amplifiers

Dimension Diagram (Unit:mm) :

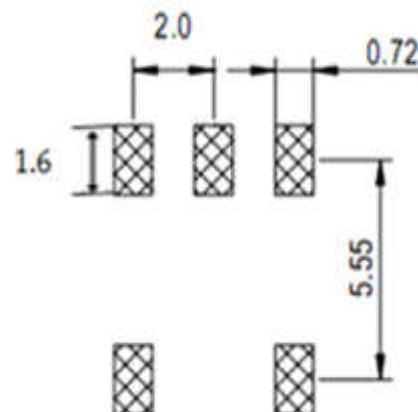


A=6.10±0.20 B=6.10±0.20 C=4.50±0.20 D=4.00±0.20 E=0.60±0.05 F=4.00±0.10 G=0.30±0.05 H=0.60±0.10

Electrical structure:



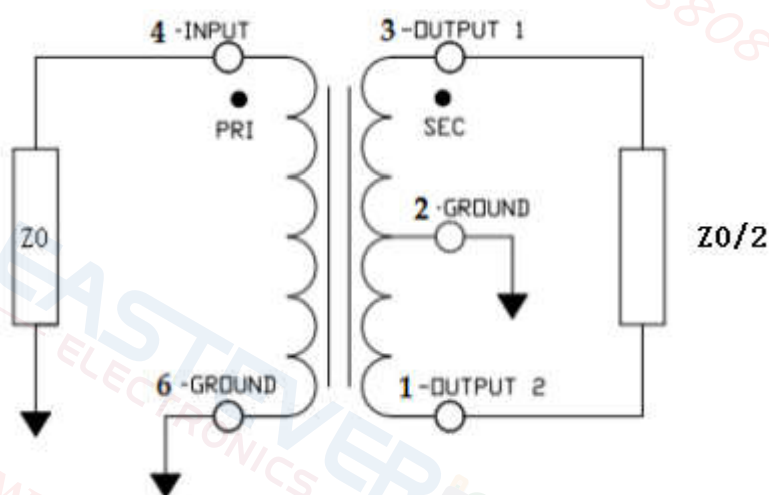
Recommended layout:



Pin configuration:

Pin no.	Function
1	Secondary (Output 2)
2	Centre tap (Ground)
3	Secondary dot (Output 1)
4	Primary dot (Input)
6	Primary (Ground)

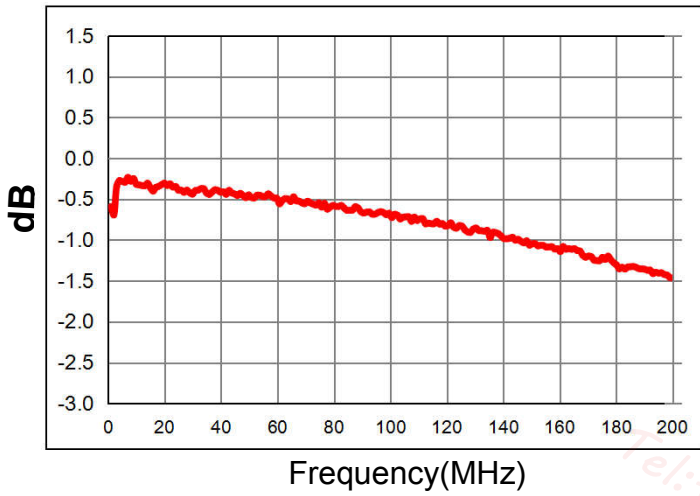
Application circuit :



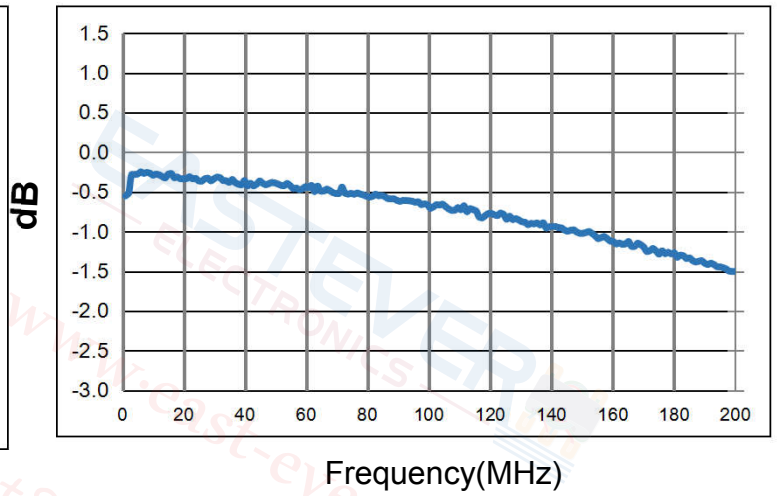
Electrical Specifications: $T_A=25^{\circ}\text{C}$, 0dBm, $Z_0=75\Omega$

Parameter	Test Conditions	Units	Min	Typ	Max
Main line Loss(out1)	5-100MHz	dB	—	0.50	2.00
Main line Loss(out2)	5-100MHz	dB	—	0.50	2.00
Amplitude Balance	5-100MHz	dB	—	0.02	0.10
Phase Balance	5-100MHz	Degrees	—	3.00	± 6.0
Input Return Loss	5-100MHz	dB	4.2	10.00	—

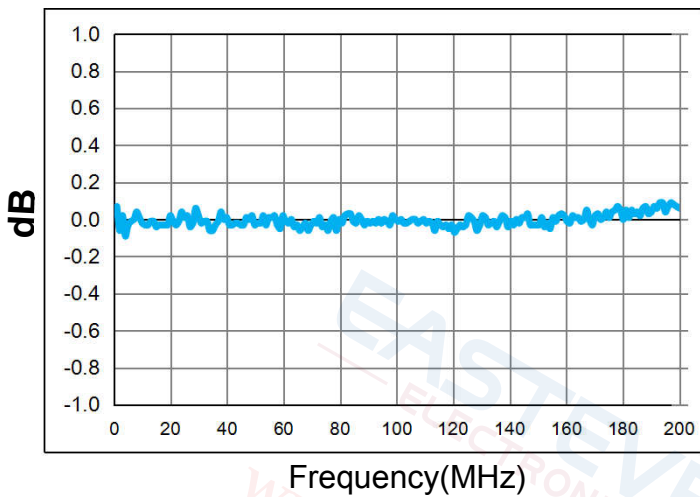
Main line Loss(out1)



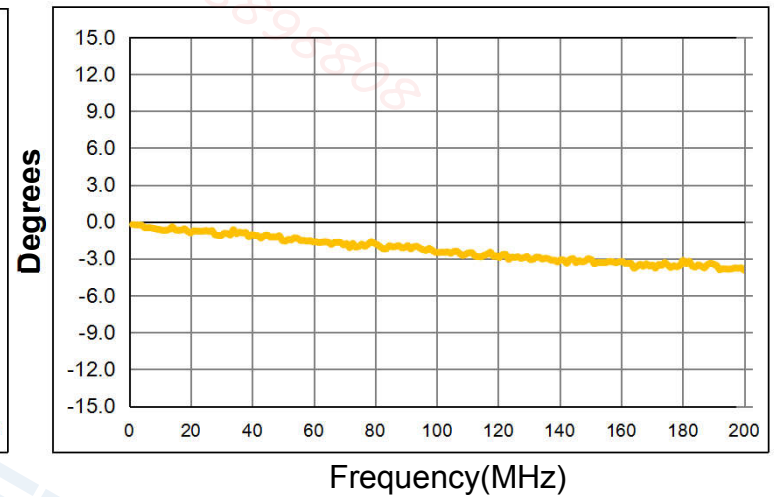
Main line Loss(out2)



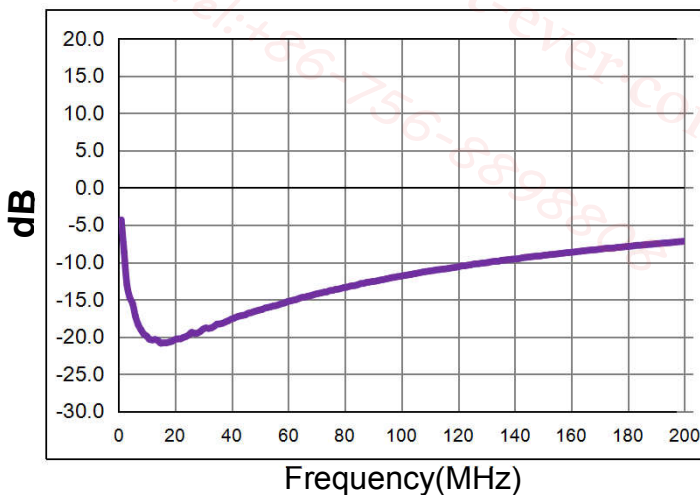
Amplitude Balance



Phase Balance

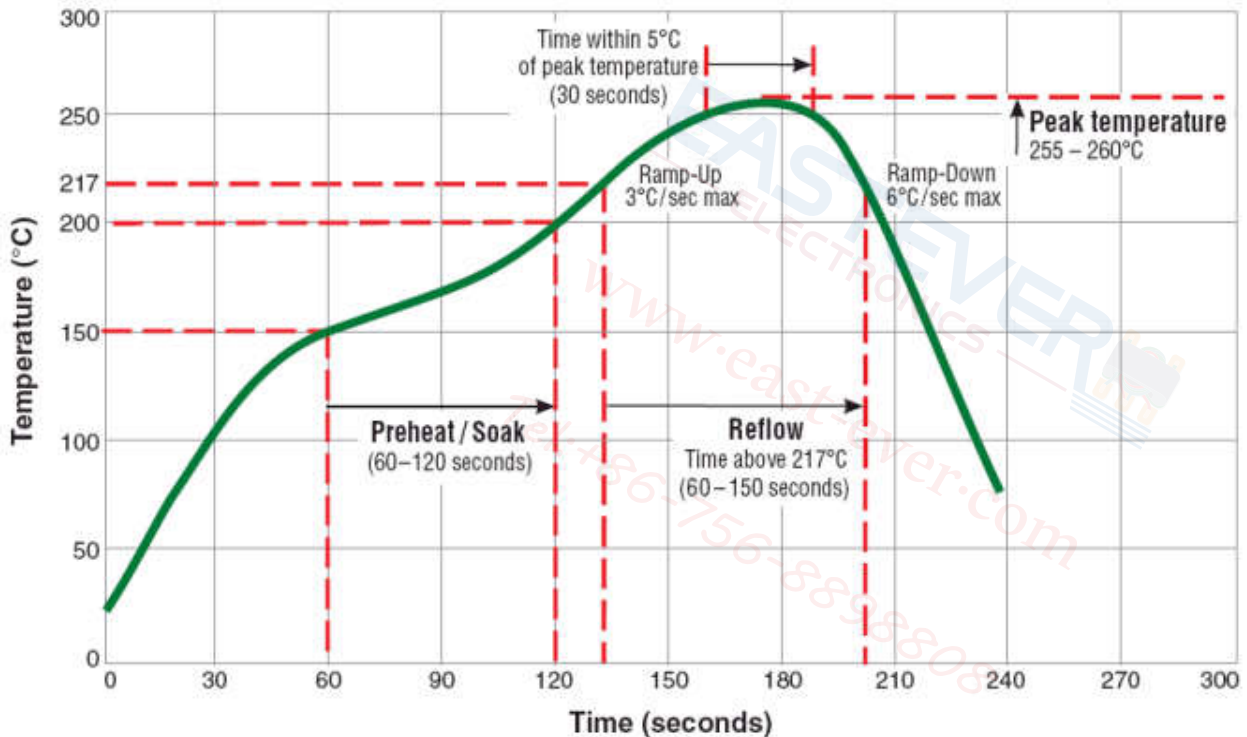


Input Return Loss

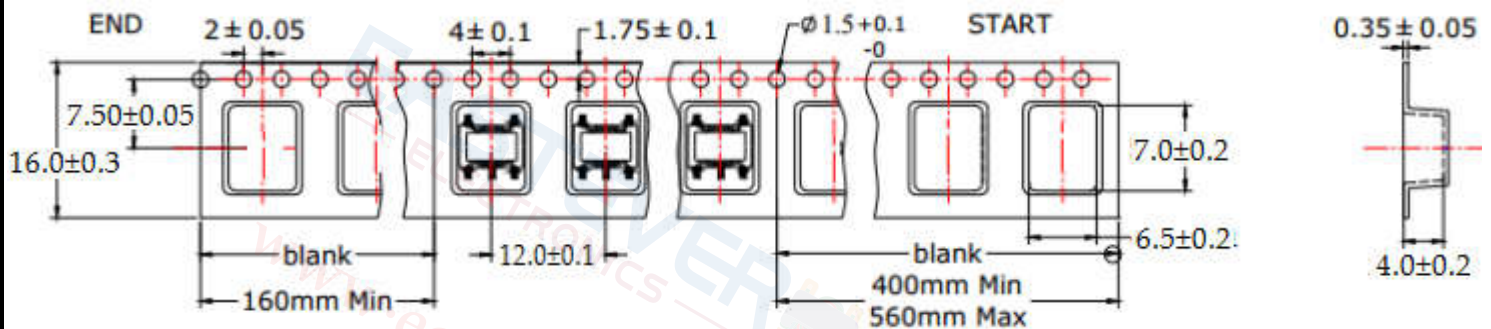


Recommended Soldering Temperature Graph:

Typical RoHS Reflow Profile



Packaging Dimension For Caeier Tape(UNIT:mm):



QUANTITY
1000PCS/Reel
3Reels/Middle Carton Middle Carton:
4 Middle Cartons/Big Carton
12000PCS/ Big Carton



SPEC	8	12	16	24
DIM A±0.1	8.5	12.5	16.5	24.5
DIM B±0.1	2.3	2.3	2.3	2.3
DIM C±0.1	100	100	100	100

