

**Features::**

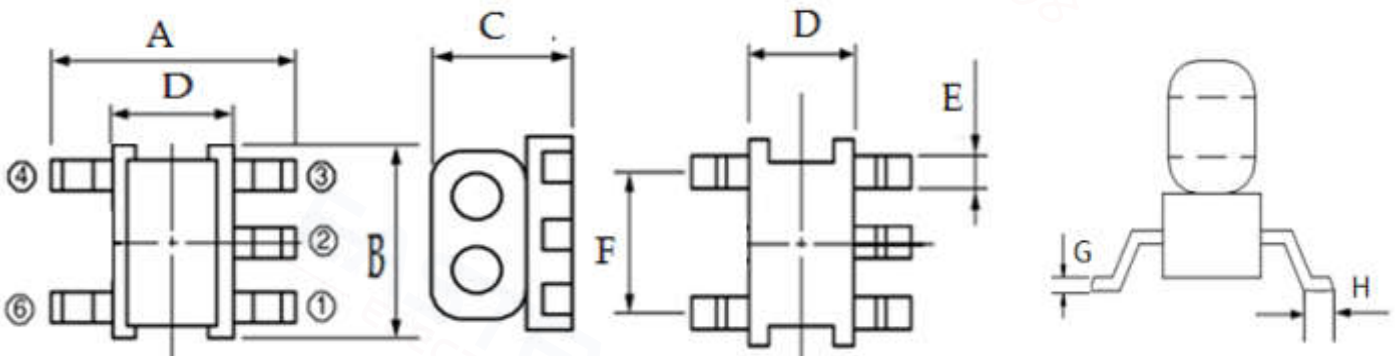
- ◆ Used on 50Ω and 75Ω systems
- ◆ Frequency: 5 to 1250 MHz
- ◆ RF power: 0.50W
- ◆ DC current: 30mA
- ◆ Insertion loss: 2.0dB Max; Input Return loss: 11.0dB Min
- ◆ Operating temperature range: -40°C to +85°C
- ◆ Storage temperature range: -55°C to +100°C



**Applications:**

- ◆ For broadband and wireless communications
- ◆ For VHF/UHF receivers/transmitters and push-pull amplifiers

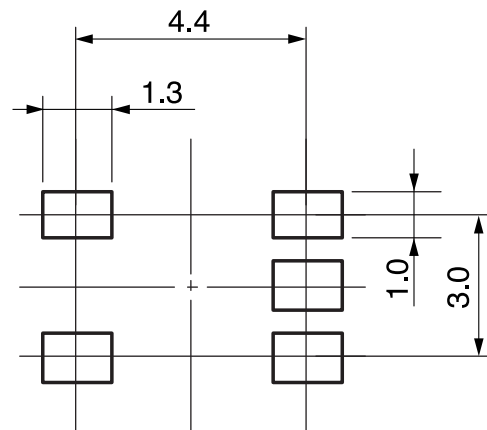
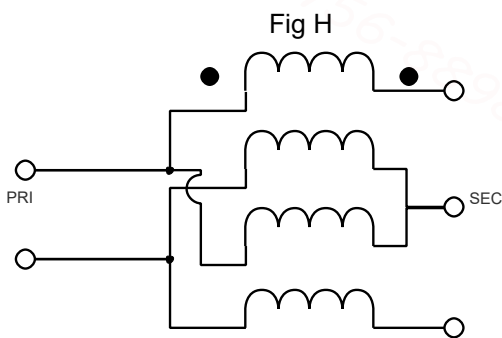
**Dimension Diagram (Unit:mm) :**



A=5.10±0.20 B=4.30±0.20 C=3.20±0.20 D=2.70±0.20 E=0.55±0.05 F=3.00±0.05 G=0.25±0.05 H=0.60±0.05

**Electrical structure:**

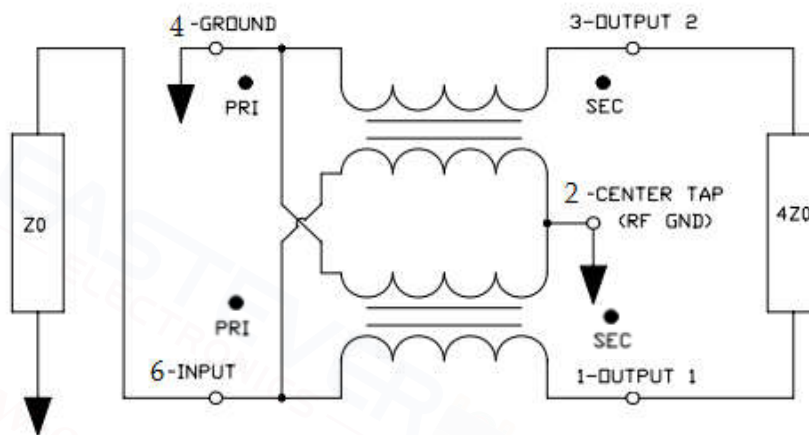
**Recommended layout:**



## Pin configuration:

Pin No.	Function
1	Output1
2	Ground
3	Output2
4	Ground
6	Input

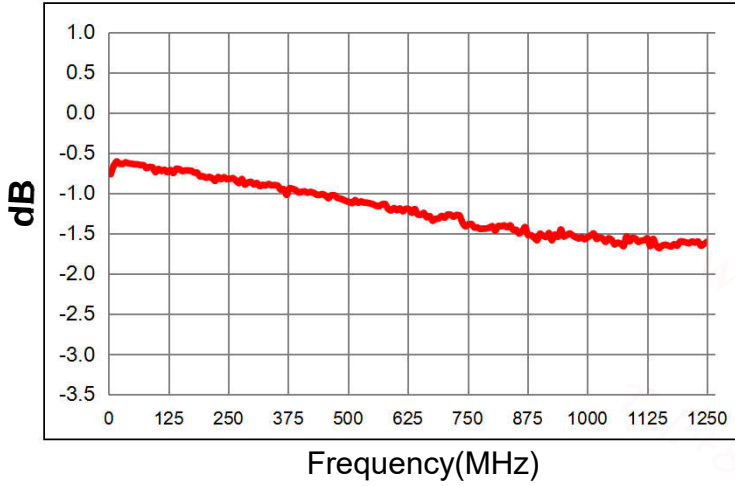
## Application circuit :



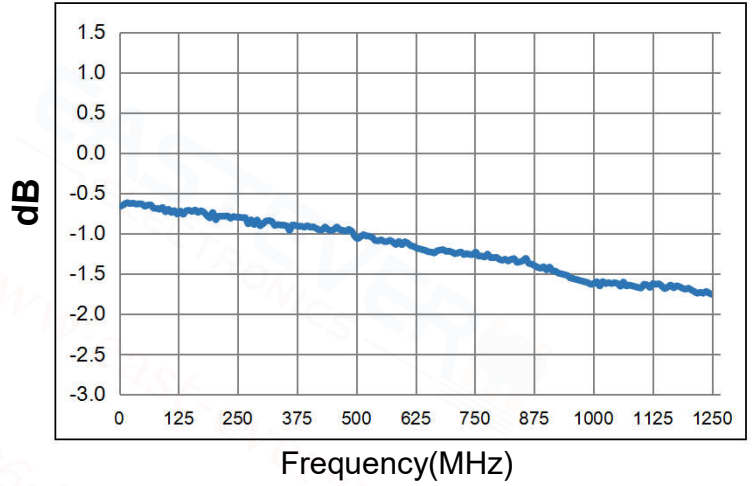
## Electrical Specifications: TA=25 0dBm,Z0=50Ω:

Parameter	Test Conditions	Units	Min	Typ	Max
Main line Loss(out1)	5-1250MHz	dB	—	1.5	2.0
Main line Loss(out2)	5-1250MHz	dB	—	1.5	2.0
Amplitude Balance	5-1250MHz	dB	—	0.3	1.0
Phase Balance	5-1250MHz	Degrees	—	6.0	20.0
Input Return Loss	5-1250MHz	dB	10.0	16.0	—

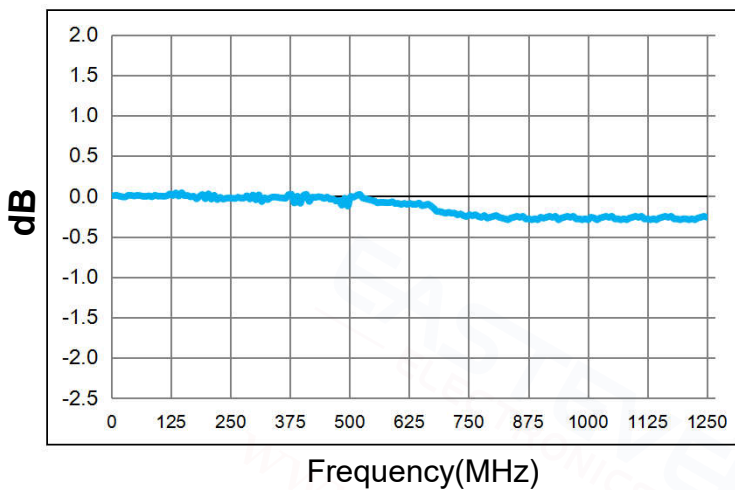
Main line Loss(out1)



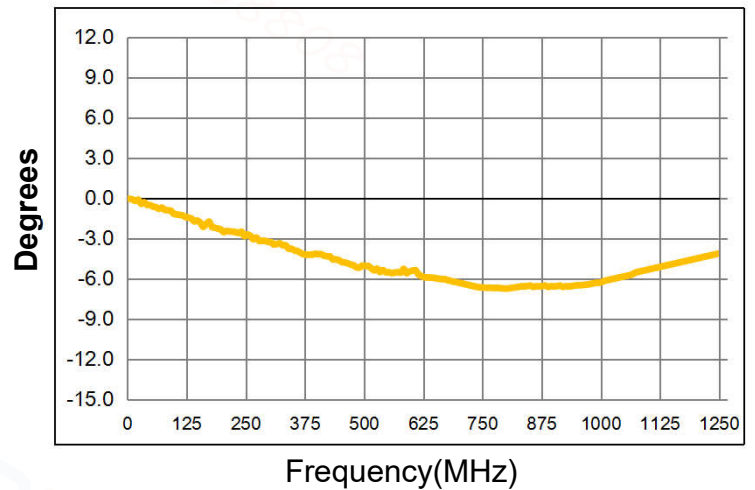
Main line Loss(out2)



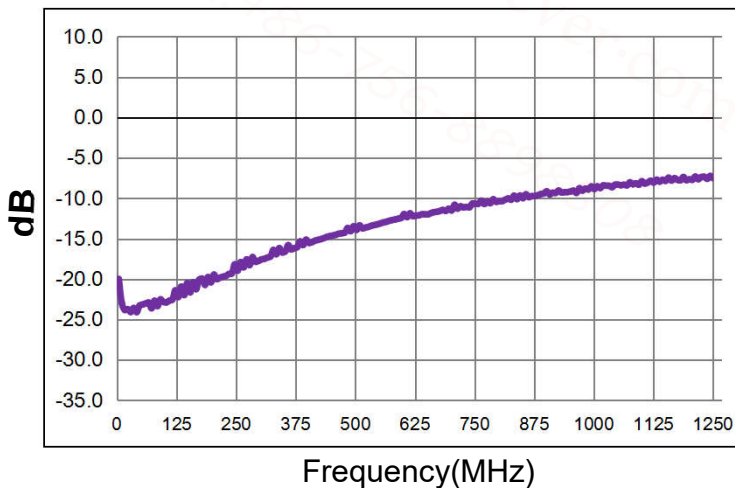
Amplitude Balance



Phase Balance

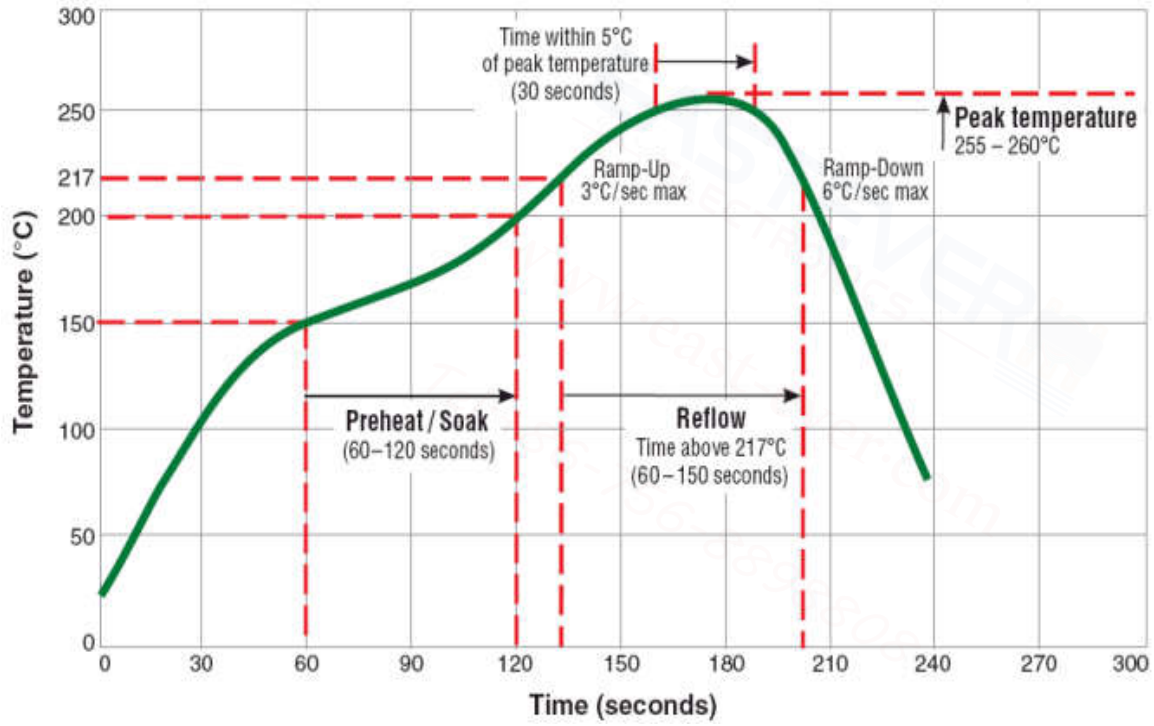


Input Return Loss

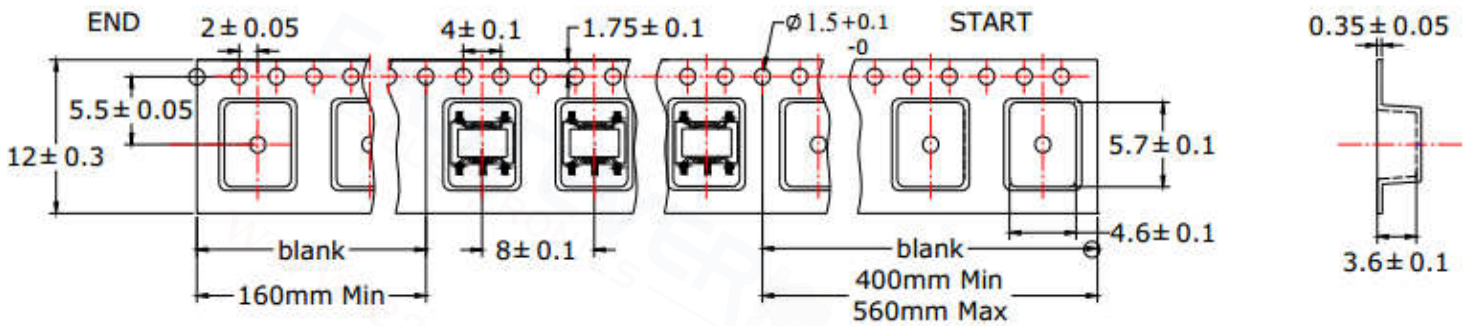


**Recommended Soldering Temperature Graph:**

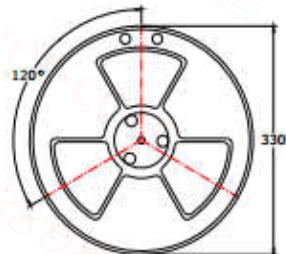
**Typical RoHS Reflow Profile**



**Packing Dimension For Caeier Tape(UNIT:mm):**



<b>QUANTITY</b>
2000PCS/Reel
4 Reels/Middle Carton Middle Carton:
4 Middle Cartons/Big Carton
32000PCS/ Big Carton



SPEC	8	12	16	24
DIM A±0.1	8.5	12.5	16.5	24.5
DIM B±0.1	2.3	2.3	2.3	2.3
DIM C±0.1	100	100	100	100

