

# Transmission line transformer

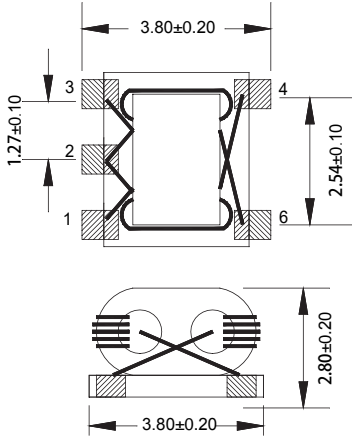
## YB2F-617DB-4-19-B084

2022-07-04 Rev. 0

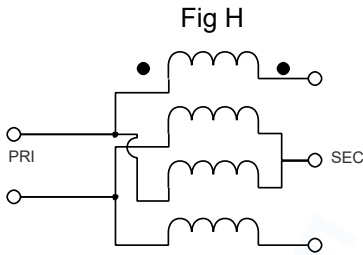


1:4CT 50Ω:200Ω 10-1900 MHz

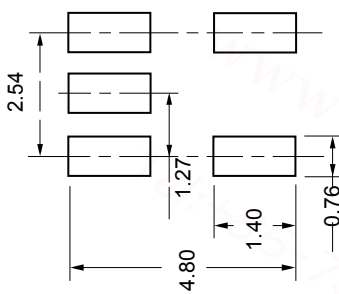
### Outline Drawing(mm)



### Electrical structure



### Recommended layout(mm)



### Pin Connections

Pin no.	Function
1	Secondary Dot
2	Secondary Centre Tap
3	Secondary
4	Primary
6	Primary Dot

### Features

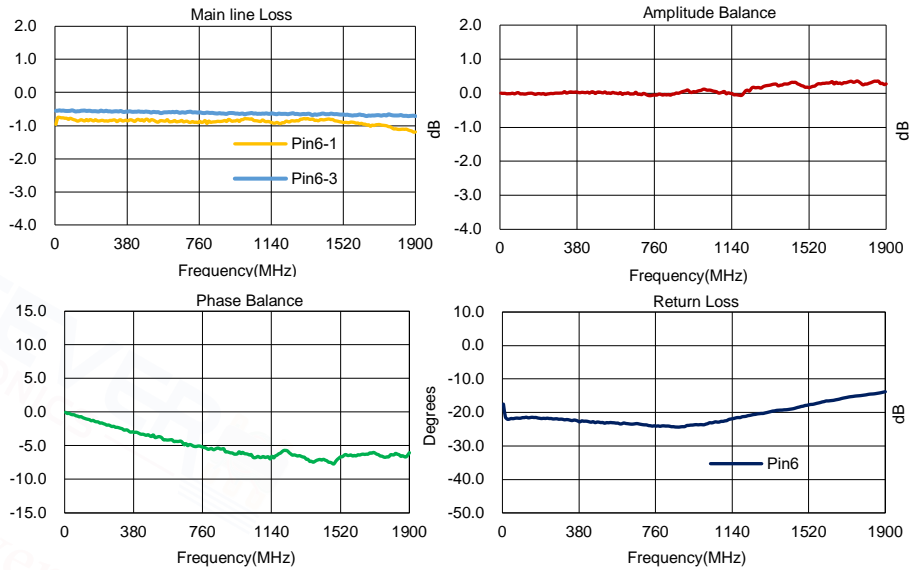
- DC current: 30mA
- Power Input: 0.25W Max
- 260°C Reflow Compatible
- RoHS Compliant and Pb Free
- Operating temperature range: -40°C to +85°C
- Storage temperature range: -55°C to +100°C

### Applications

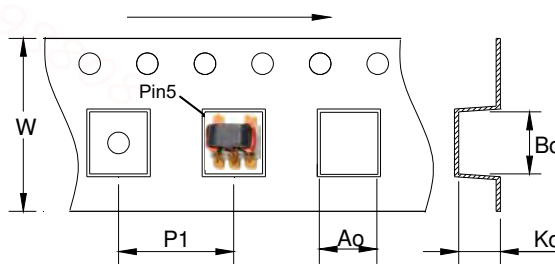
- RF circuits
- Mobile radio
- Satellite TV
- Cordless phones

### Electrical Specifications:TA=25°C, 0dBm, Z0=50Ω

Parameter	Test Conditions	Units	Min	Typ	Max
Insertion Loss 1(Pin6-1)	10-1900MHz	dB	—	0.8	2.0
Insertion Loss 2(Pin6-3)	10-1900MHz	dB	—	1.0	2.2
Amplitude Balance	10-1900MHz	dB	0.0	0.3	1.0
Phase Balance	10-1900MHz	°	0.0	6.0	15.0
Return Loss(Pin6)	10-1900MHz	dB	8.0	12.0	—



### Carrier Tape Orientation



### Tape & Reel Information

Parameter	Units	Value
Qty per reel	PCS	2000
Reel Size	mm	330
Tape Width	mm	12.00
Pitch	mm	8.00
Ao	mm	4.00
Bo	mm	4.00
Ko	mm	2.90