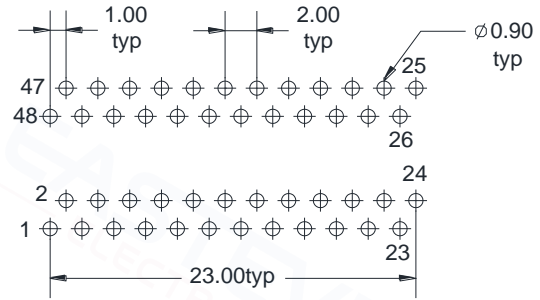


LAN Transformer

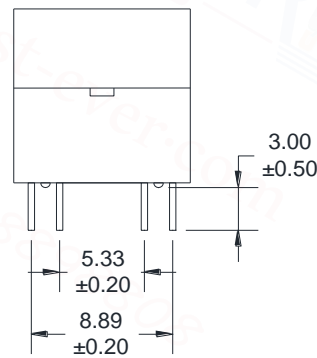
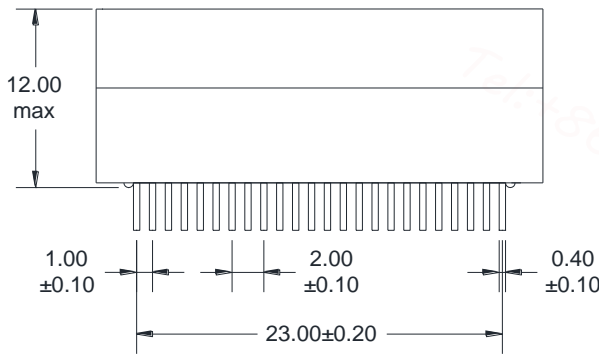
100/1000 BASE-T PG48201-1G

REV: 0

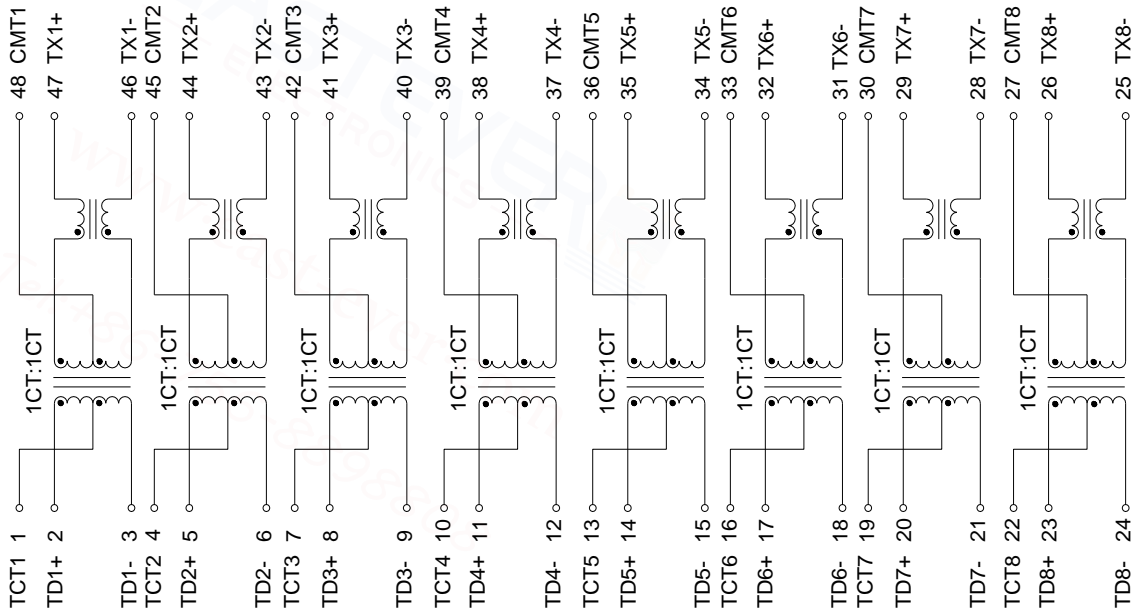
A. MECHANICAL(unit:mm)



Suggestde PAD Layout



B. SCHEMATICS



LAN Transformer

100/1000 BASE-T PG48201-1G

REV: 0

C. ELECTRICAL SPECIFICATIONS @25°C

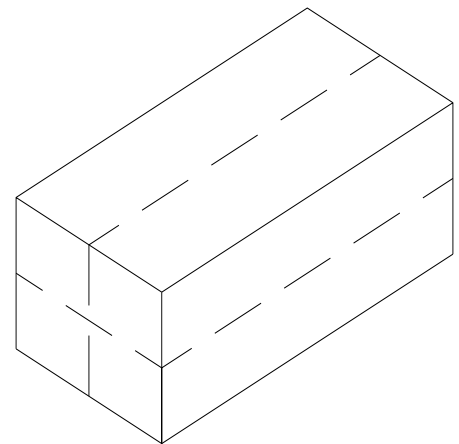
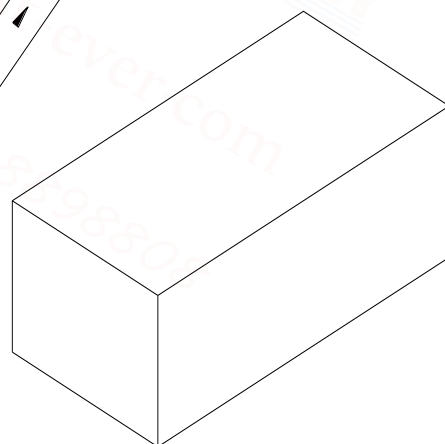
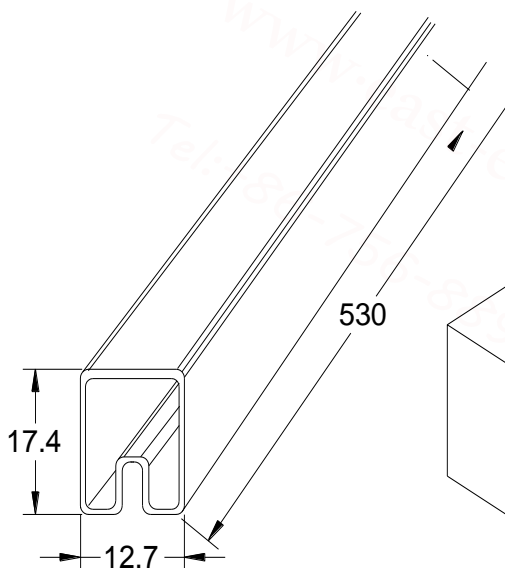
1. OCL: 350uH Min @ 100KHz, 0.1V 8mA DC BIAS
2. Leakage Inductance: 0.5uH Max @ 100KHz, 0.1V
3. DCR : 1400mΩ Max
4. Turns Ratio: 1CT:1CT±5%
5. Insertion Loss: -1.10dB Max @ 1-100 MHz
6. Return Loss: -18.0dB Min @ 1-30 MHz -14.4 dB Min @ 40 MHz
-13.1 dB Min @ 50 MHz -12.0dB Min @ 60-80 MHz
-10.0 dB Min @ 100 MHz
7. Cross Talk: -30 dB Min @ 1-100 MHz
8. Cmmon Mode Rejection: -30 dB Min @ 1-100 MHz
9. Isolation Hipot: 1500VAC 1mA 60S
10. Operating temperature 0°C to +70°C
11. Storage temperature -25°C to +125°C
12. Full ports support IEEE802.3at standard.

Package Quantity:

One Tube=18Pcs

One Inner Carton=18*50=900Pcs

One Export Carton=900*4=3600Pcs



Tube: 530*12.7*17.4mm

Inner Carton: L570*W180*H100mm

Export Carton: L580*W380*H240mm