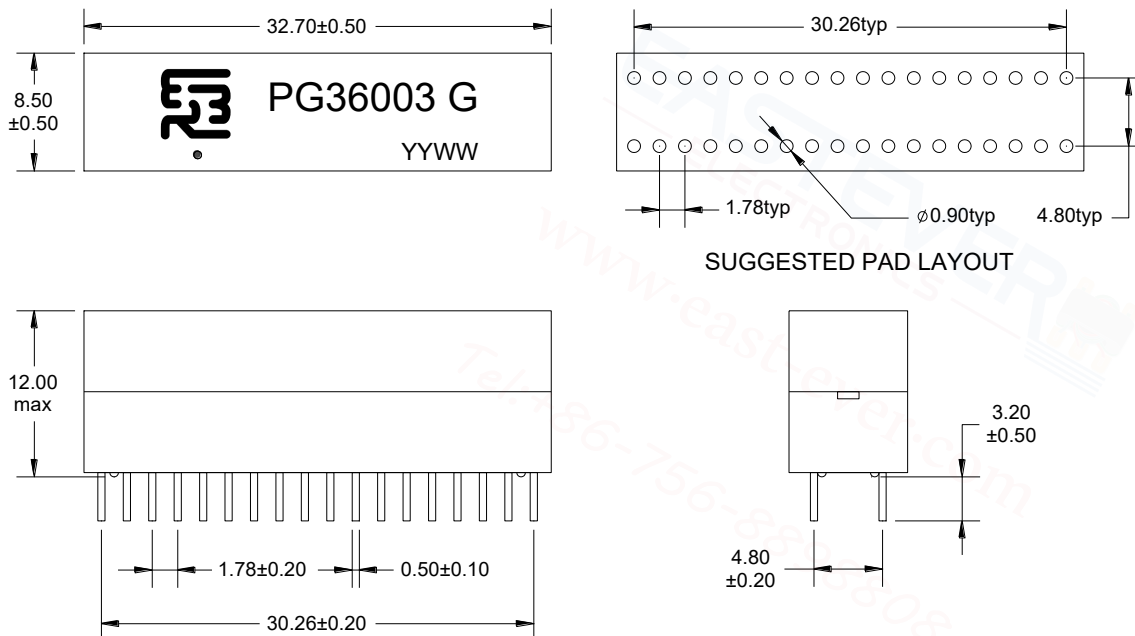


LAN Transformer

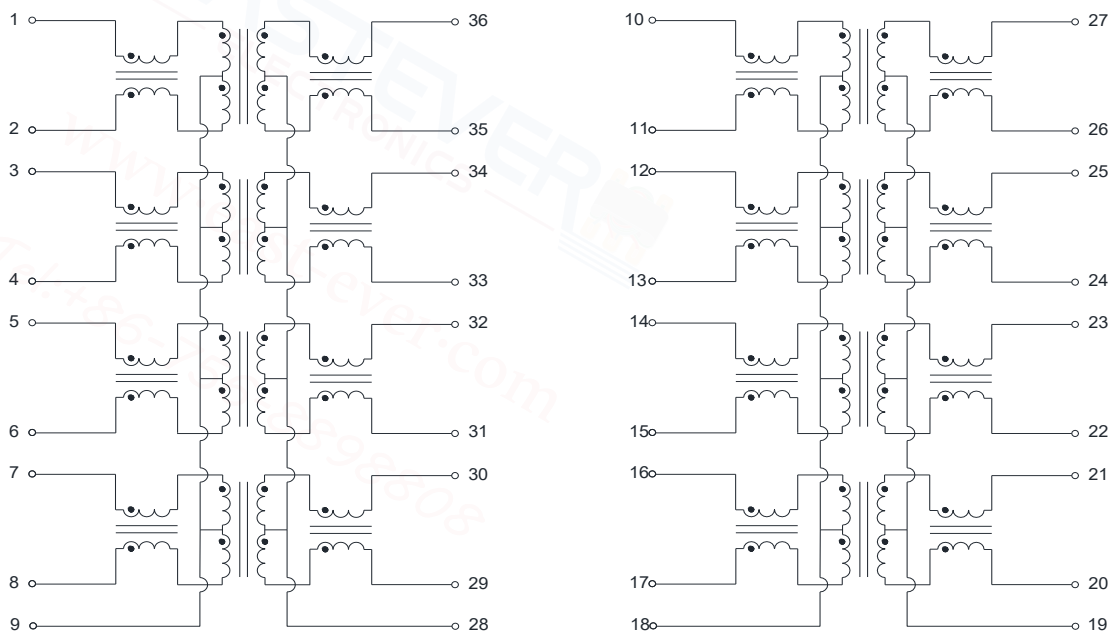
100/1000 BASE-T PG36003G

REV: 0

A. MECHANICAL(unit:mm)



B. SCHEMATICS



LAN Transformer

100/1000 BASE-T PG36003G

REV: 0

C. ELECTRICAL SPECIFICATIONS @25°C

1. OCL: 350 μ H Min @ 100 KHz, 0.1V with 8mA DC BIAS
2. Leakage Inductance: 0.5 μ H Max @ 100KHz, 0.1V
3. DCR: 1400m Ω Max
4. Turns Ratio: 1CT:1CT \pm 5%
5. Insertion Loss: -1.1 dB Max @ 1-100 MHz
6. Return Loss: -18 dB Min @ 1-30 MHz
 - a. 14.4 dB Min @ 40 MHz
 - b. 13.1 dB Min @ 50 MHz
 - c. 12 dB Min @ 60-80 MHz
 - d. 10 dB Min @ 100 MHz
7. Cross Talk: -30 dB Min @ 1-100 MHz
8. Common Mode Rejection: -30 dB Min @ 1-100 MHz
9. Isolation Hipot: 1500VAC 1mA 60S
10. Operating temperature 0°C to +70°C
11. Storage temperature -40°C to +85°C

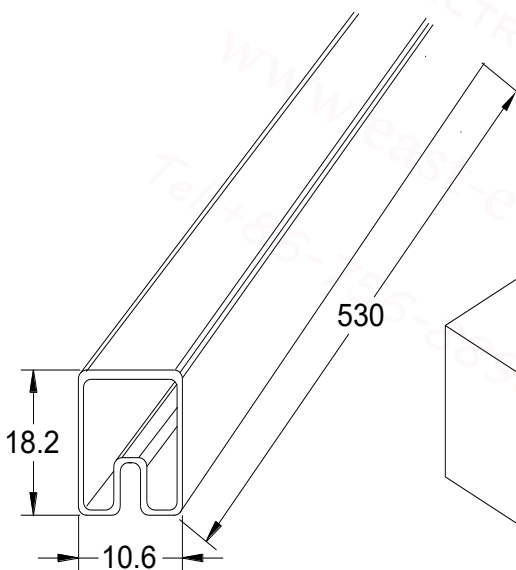
D. PACKAGE INFORMATION

Package Quantity:

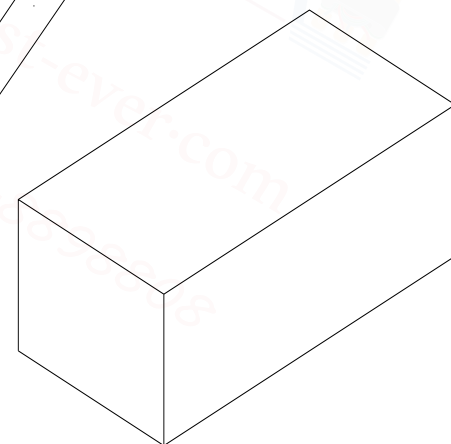
One Tube=15Pcs

One Inner Carton=15*70=1050Pcs

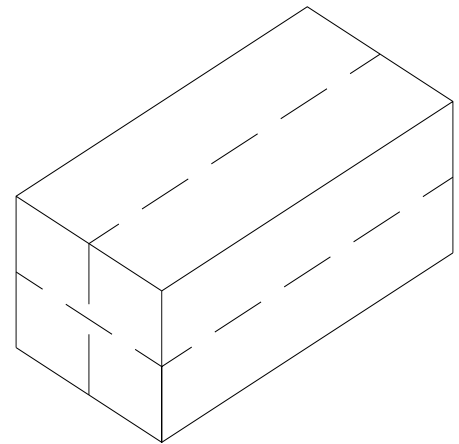
One Export Carton=1050*4=4200Pcs



Tube: 530*10.6*18.2mm



Inner Carton: L555*W165*H100mm



Export Carton: L570*W370*H240mm