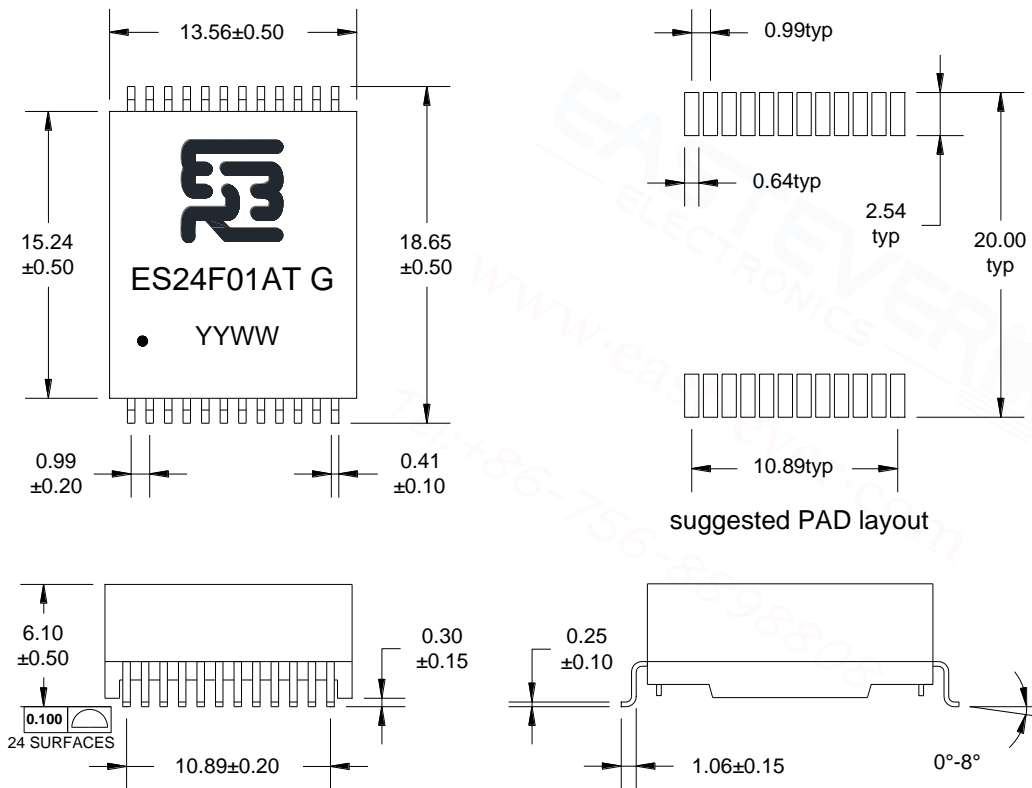


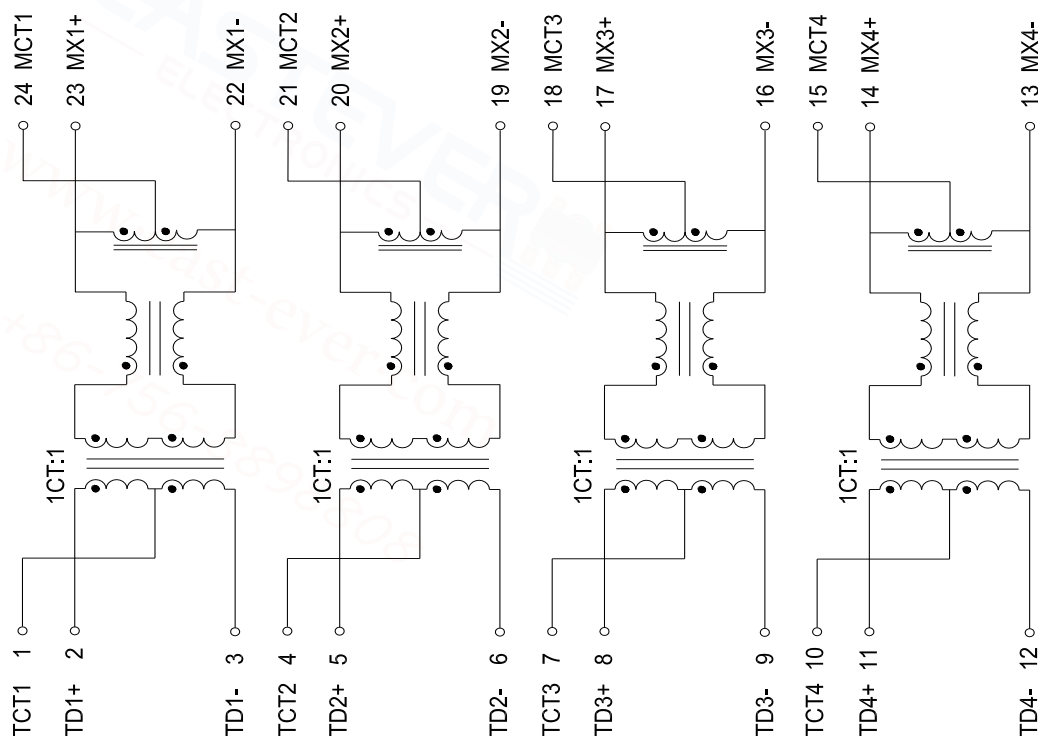
100/1000 BASE-T ES24F01ATG equivalent to H5008NL

REV: 0

A. MECHANICAL (unit:mm)



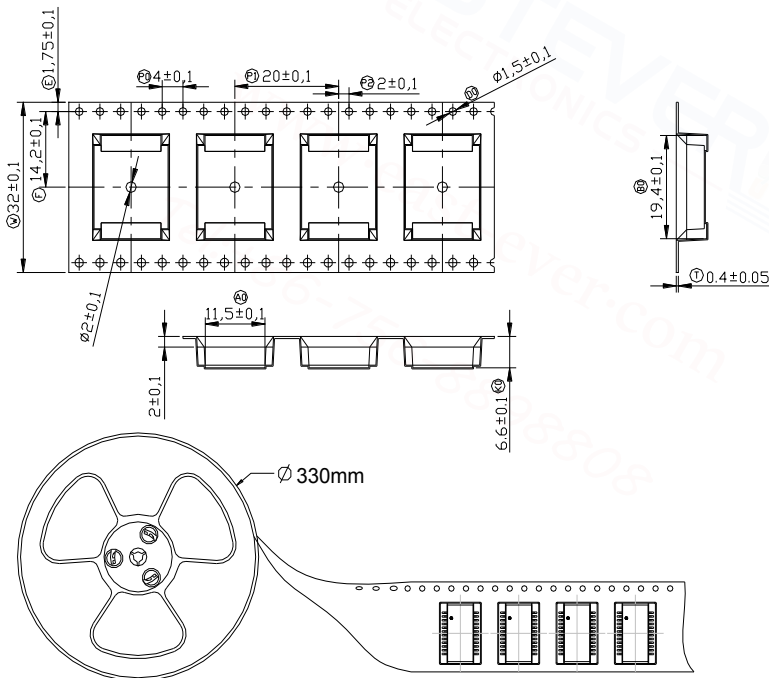
B. SCHEMATICS



C. ELECTRICAL SPECIFICATIONS @25°C

1. OCL: 350uH Min @ 100KHz, 0.1V 8mA DC BIAS
2. Leakage Inductance: 0.5uH Max @ 100KHz, 0.1V
3. DCR : 1400mΩ Max
4. Turns Ratio: 1CT:1CT±5%
5. Insertion Loss: -1.10dB Max @ 1-100 MHz
6. Return Loss: -18.0dB Min @ 1-30 MHz -14.4 dB Min @ 40 MHz
 -13.1 dB Min @ 50 MHz -12.0dB Min @ 60-80 MHz
 -10.0 dB Min @ 100 MHz
7. Cross Talk: -30 dB Min @ 1-100 MHz
8. Common Mode Rejection: -30 dB Min @ 1-100 MHz
9. Isolation Hipot: 1500VAC 1mA 60S
10. Operating temperature -40°C to +85°C
11. Storage temperature -40°C to +85°C.

D. PACKAGE INFORMATION



One Reel=500Pcs

One Inner Carton=500*2=1000Pcs

One Export Carton=1000*5=5000Pcs