

SMD Power Inductor



Features

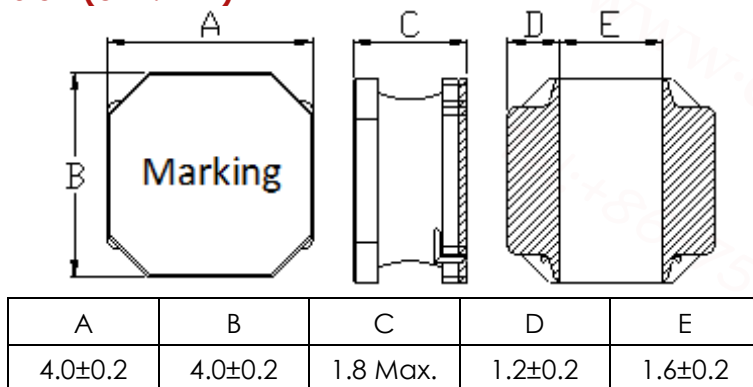
- ▶ Small and Low profile inductor
- ▶ It corresponds to High current.
- ▶ Simple and Shield structure.
- ▶ Takes up less PCB real estate and save more power
- ▶ Available tape and reel for auto insertion.
- ▶ RoHs compliant
- ▶ Halogen-Free



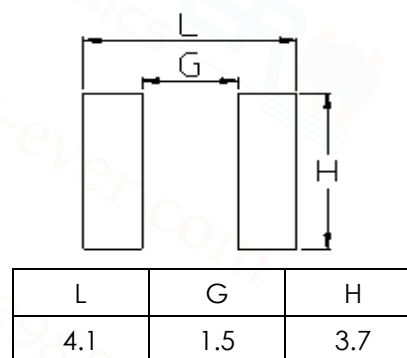
Applications

- ▶ For small DC/DC converter (cellular Phone, LCD/LED/OLED display etc).

Dimension (Unit:mm)



Land Pattern (Unit:mm)



Specifications

Part Number	Inductance (μH)	Tolerance (±)	DCR (mΩ) ±30%	Isat (A) Max.	Itemp (A) Max.	SRF (Min) (MHz)
EPNR4018-1R0N	1.0	30%	25	4.20	2.00	80
EPNR4018-1R5N	1.5	30%	30	3.35	1.80	65
EPNR4018-2R2M	2.2	20%	45	2.70	1.65	52
EPNR4018-3R3M	3.3	20%	70	2.45	1.23	44
EPNR4018-4R7M	4.7	20%	90	1.70	1.20	34
EPNR4018-6R8M	6.8	20%	110	1.45	1.06	29
EPNR4018-100M	10	20%	180	1.30	0.84	24
EPNR4018-150M	15	20%	250	0.94	0.65	19
EPNR4018-220M	22	20%	360	0.80	0.59	16
EPNR4018-330M	33	20%	530	0.56	0.49	12
EPNR4018-470M	47	20%	650	0.57	0.42	10
EPNR4018-680M	68	20%	1000	0.47	0.32	8.3
EPNR4018-101M	100	20%	1750	0.40	0.25	6.5
EPNR4018-151M	150	20%	2500	0.31	0.22	5.5
EPNR4018-221M	220	20%	4000	0.27	0.17	4.0
EPNR4018-331M	330	20%	6500	0.20	0.14	2.2

- Inductance Tested at 100kHz, 1Vrms (20°C)
- Isat: When based on the inductance change rate (approximately 30% below in the initial value)
- Itemp: When based on the temperature increase (Temperature increase of approximately 40°C by self heating)
- Operating Temperature Range(including self temperature) : -25°C ~ +125°C