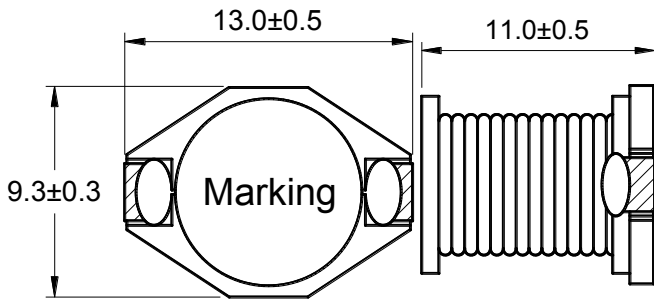


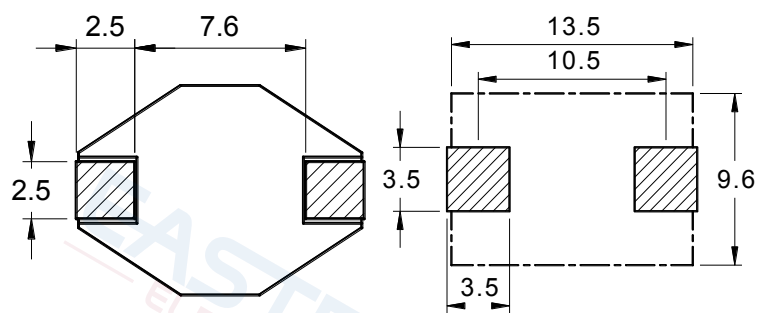
SMD Power Inductor



1 Appearance and dimensions (mm) 外形尺寸



2 Reference land pattern (mm) 参考基板尺寸



3 Electrical characteristics 电气特性

Part No. 型号	Inductance (μH) 电感值 ※1 ±20%	D.C.R. (mΩ) 直流电阻		Saturation current (A) 饱和电流 ※2		Temperature rise current (A) 温升电流 ※3
		Typical	Max	Typical	Max	Typical
EF3340-100M	10.0	21.5	25.8	10.5	8.40	4.54
EF3340-120M	12.0	23.3	28.0	10.0	8.00	4.36
EF3340-150M	15.0	30.4	36.5	9.50	7.60	3.82
EF3340-180M	18.0	34.0	40.8	9.00	7.20	3.61
EF3340-220M	22.0	44.0	52.8	8.40	6.72	3.17
EF3340-270M	27.0	50.0	60.0	7.50	6.00	2.98
EF3340-330M	33.0	56.0	67.2	6.90	5.52	2.81
EF3340-390M	39.0	62.0	74.4	6.30	5.04	2.67
EF3340-470M	47.0	79.5	95.0	5.90	4.72	2.36
EF3340-560M	56.0	89.0	107	5.35	4.28	2.23
EF3340-680M	68.0	120	143	4.85	3.88	1.93
EF3340-820M	82.0	137	164	4.35	3.48	1.80
EF3340-101M	100	153	184	4.00	3.20	1.70
EF3340-121M	120	208	250	3.60	2.88	1.46
EF3340-151M	150	239	287	3.30	2.64	1.36
EF3340-181M	180	307	368	3.00	2.40	1.20
EF3340-221M	220	350	420	2.70	2.16	1.12
EF3340-271M	270	398	478	2.40	1.92	1.05
EF3340-331M	330	502	602	2.20	1.76	0.94
EF3340-391M	390	650	780	2.00	1.60	0.83
EF3340-471M	470	714	857	1.85	1.48	0.79
EF3340-561M	560	804	965	1.70	1.36	0.74
EF3340-681M	680	1,030	1,236	1.50	1.20	0.66
EF3340-821M	820	1,310	1,572	1.40	1.12	0.58
EF3340-102M	1,000	1,570	1,884	1.20	0.96	0.53
EF3340-152M	1,500	2,350	2,820	1.00	0.80	0.43

All data is tested based on 25°C ambient temperature. 所有测试数据基于环境温度25°C条件下测试。

※1. Inductance measure condition at 100kHz, 0.1V. 电感测试条件为100kHz, 0.1V。

※2. Saturation current the actual value of DC current when the inductance decrease 20% of its initial value.
饱和电流: 电感值下降其初始值的20%时所加载的实际直流电流值。

※3. Temperature rise current the actual value of DC current when the temperature rise is ΔT40 (Ta=25).
温升电流: 使产品温度上升到ΔT40°C时所加载的实际直流电流值(Ta=25°C)



Balun Transformer | Coupler | Divider | Inductor | Choke | Bead | Air Coil | LAN Transformer

Zuhai Eastever Electronic Co.,Ltd | No.265 Chang Ping Road,GongBei ,ZhuHai,China | www.east-ever.com | james@yfbalun.com | Tel:" 86-756-8898808