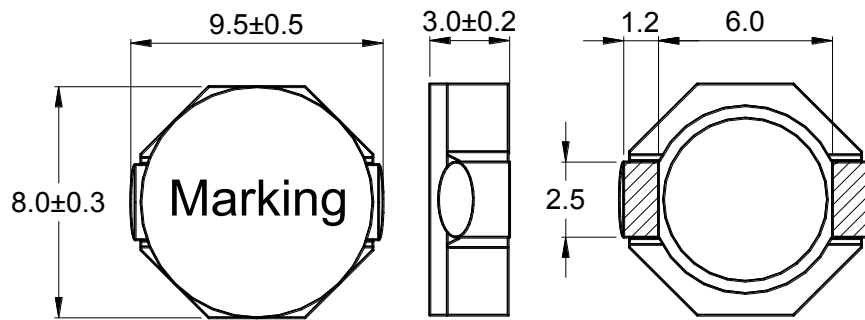


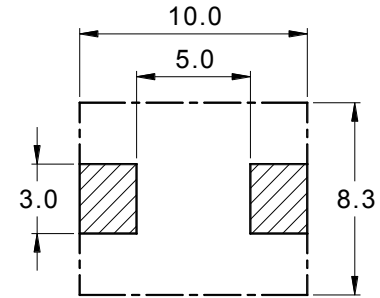
1 Appearance and dimensions (mm)

外形尺寸



2 Reference land pattern (mm)

参考基板尺寸



3 Electrical characteristics

电气特性

Part No. 型号	Inductance (μH) 电感值 ※1	D.C.R. (mΩ) 直流电阻		Saturation current (A) 饱和电流 ※2		Temperature rise current (A) 温升电流 ※3
		Typical	Max	Typical	Max	Typical
ED8D28-1R0N	1.00 ±30%	9.00	10.8	9.00	7.20	5.64
ED8D28-2R2N	2.20 ±30%	14.0	16.8	6.00	4.80	4.52
ED8D28-3R3N	3.30 ±30%	17.0	20.4	5.30	4.24	4.11
ED8D28-4R7N	4.70 ±30%	26.0	31.2	4.00	3.20	3.32
ED8D28-6R8N	6.80 ±30%	31.5	37.8	3.60	2.88	3.02
ED8D28-8R2N	8.20 ±30%	41.0	49.2	3.20	2.56	2.64
ED8D28-100M	10.0 ±20%	63.0	75.6	2.70	2.16	2.13
ED8D28-150M	15.0 ±20%	84.0	101	2.35	1.88	1.85
ED8D28-220M	22.0 ±20%	105	126	1.90	1.52	1.65
ED8D28-330M	33.0 ±20%	176	211	1.50	1.20	1.28
ED8D28-470M	47.0 ±20%	250	300	1.32	1.06	1.07
ED8D28-680M	68.0 ±20%	343	412	1.10	0.88	0.91
ED8D28-820M	82.0 ±20%	432	518	1.00	0.80	0.81
ED8D28-101M	100 ±20%	524	629	0.90	0.72	0.74

All data is tested based on 25 C ambient temperature. 所有测试数据基于环境温度25 C条件下测试。

※1. Inductance measure condition at 100kHz, 0.1V. 电感测试条件为100kHz, 0.1V。

※2. Saturation current the actual value of DC current when the inductance decrease 20% of its initial value.
饱和电流: 电感值下降其初始值的20%时所加载的实际直流电流值。

※3. Temperature rise current the actual value of DC current when the temperature rise is ΔT40 (Ta=25).
温升电流: 使产品温度上升到ΔT40 C时所加载的实际直流电流值(Ta=25 C)