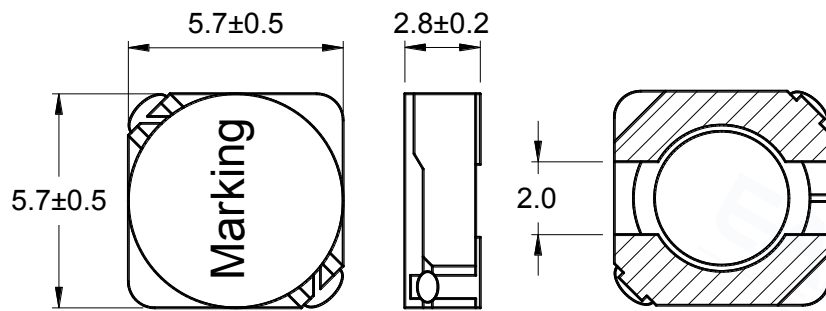


SMD Power Inductor



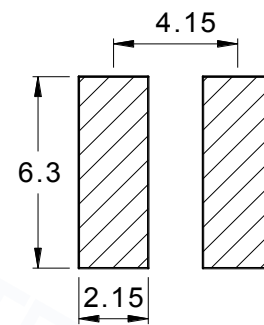
1 Appearance and dimensions (mm)

外形尺寸



2 Reference land pattern (mm)

参考基板尺寸



3 Electrical characteristics

电气特性

Part No. 型号	Inductance (μH) 电感值 ※1	D.C.R. (m Ω) 直流电阻		Saturation current (A) 饱和电流 ※2		Temperature rise current (A) 温升电流 ※3
		Typical	Max	Typical	Max	Typical
ED5D28-1R2N	1.20 \pm 30%	15.3	18.4	3.60	2.88	3.84
ED5D28-1R8N	1.80 \pm 30%	16.4	19.7	3.10	2.48	3.71
ED5D28-3R3N	3.30 \pm 30%	23.0	27.6	2.30	1.84	3.13
ED5D28-4R7N	4.70 \pm 30%	32.0	38.4	1.85	1.48	2.66
ED5D28-6R8N	6.80 \pm 30%	45.0	54.0	1.55	1.24	2.24
ED5D28-8R2N	8.20 \pm 30%	48.6	58.3	1.40	1.12	2.16
ED5D28-100M	10.0 \pm 20%	67.5	81.0	1.25	1.00	1.83
ED5D28-150M	15.0 \pm 20%	89.0	107	1.05	0.84	1.59
ED5D28-220M	22.0 \pm 20%	120	144	0.85	0.68	1.37
ED5D28-330M	33.0 \pm 20%	203	244	0.65	0.52	1.05
ED5D28-470M	47.0 \pm 20%	240	288	0.58	0.46	0.97
ED5D28-680M	68.0 \pm 20%	348	418	0.48	0.38	0.81
ED5D28-820M	82.0 \pm 20%	395	474	0.44	0.35	0.76
ED5D28-101M	100 \pm 20%	495	594	0.39	0.31	0.68
ED5D28-151M	150 \pm 20%	800	960	0.32	0.26	0.53
ED5D28-221M	220 \pm 20%	1,170	1,404	0.27	0.22	0.44
ED5D28-331M	330 \pm 20%	1,700	2,040	0.22	0.18	0.36
ED5D28-471M	470 \pm 20%	2,400	2,880	0.18	0.14	0.31

All data is tested based on 25°C ambient temperature. 所有测试数据基于环境温度25°C条件下测试。

※1. Inductance measure condition at 100kHz, 0.1V. 电感测试条件为100kHz, 0.1V。

※2. Saturation current the actual value of DC current when the inductance decrease 20% of its initial value.
饱和电流：电感值下降其初始值的20%时所加载的实际直流电流值。

※3. Temperature rise current the actual value of DC current when the temperature rise is $\Delta T40$ ($T_a=25$).
温升电流：使产品温度上升到 $\Delta T40$ °C时所加载的实际直流电流值($T_a=25$ °C)