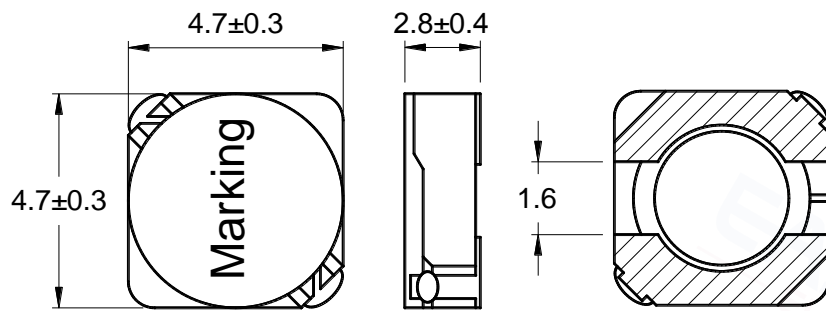


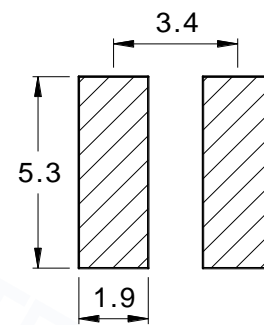
## 1 Appearance and dimensions (mm)

外形尺寸



## 2 Reference land pattern (mm)

参考基板尺寸



## 3 Electrical characteristics

电气特性

Part No. 型号	Inductance (μH) 电感值 ※1	D.C.R. (mΩ) 直流电阻		Saturation current (A) 饱和电流 ※2		Temperature rise current (A) 温升电流 ※3
		Typical	Max	Typical	Max	Typical
ED4D28-1R0N	1.00 ±30%	16.0	19.2	3.75	3.00	3.61
ED4D28-2R2N	2.20 ±30%	20.0	24.0	2.90	2.32	3.23
ED4D28-3R3N	3.30 ±30%	29.5	35.4	2.35	1.88	2.66
ED4D28-4R7N	4.70 ±30%	44.0	52.8	1.95	1.56	2.18
ED4D28-6R8N	6.80 ±30%	49.2	59.0	1.65	1.32	2.06
ED4D28-8R2N	8.20 ±30%	66.8	80.2	1.50	1.20	1.77
ED4D28-100M	10.0 ±20%	76.0	91.2	1.30	1.04	1.66
ED4D28-150M	15.0 ±20%	116	139	1.00	0.80	1.34
ED4D28-220M	22.0 ±20%	147	176	0.85	0.68	1.19
ED4D28-330M	33.0 ±20%	235	282	0.72	0.58	0.94
ED4D28-470M	47.0 ±20%	318	382	0.60	0.48	0.81
ED4D28-680M	68.0 ±20%	497	596	0.52	0.42	0.65
ED4D28-820M	82.0 ±20%	558	670	0.46	0.37	0.61
ED4D28-101M	100 ±20%	628	754	0.40	0.32	0.58
ED4D28-151M	150 ±20%	1,120	1,344	0.33	0.26	0.43
ED4D28-221M	220 ±20%	1,590	1,908	0.28	0.22	0.36
ED4D28-331M	330 ±20%	2,520	3,024	0.23	0.18	0.29

All data is tested based on 25°C ambient temperature. 所有测试数据基于环境温度25°C条件下测试。

※1. Inductance measure condition at 100kHz, 0.1V. 电感测试条件为100kHz, 0.1V。

※2. Saturation current the actual value of DC current when the inductance decrease 20% of its initial value.  
饱和电流: 电感值下降其初始值的20%时所加载的实际直流电流值。

※3. Temperature rise current the actual value of DC current when the temperature rise is ΔT40 (Ta=25).  
温升电流: 使产品温度上升到ΔT40°C时所加载的实际直流电流值(Ta=25°C)