

RF Balun Transformer

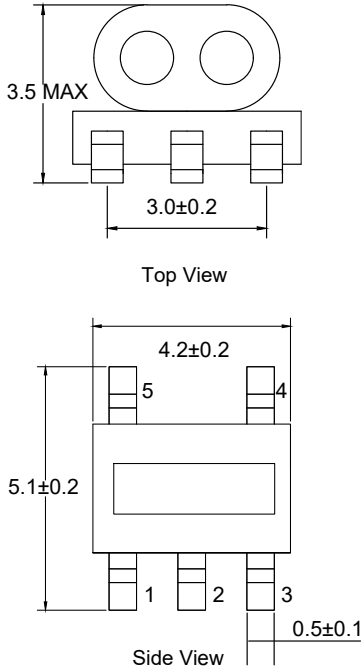
EBI0050-D009081

2024-03-21 Rev. 0



75Ω 1: 1 Transmission Line Transformer 5-700 MHz

Outline Drawing(mm)



Features

- Operating temperature range: -40 °C to +85 °C
- Storage temperature range: -55 °C to +100 °C
- 260°C Reflow Compatible
- RoHS compliant and lead free
- Input Power: 500mW Max
- DC Current: 500mA Max

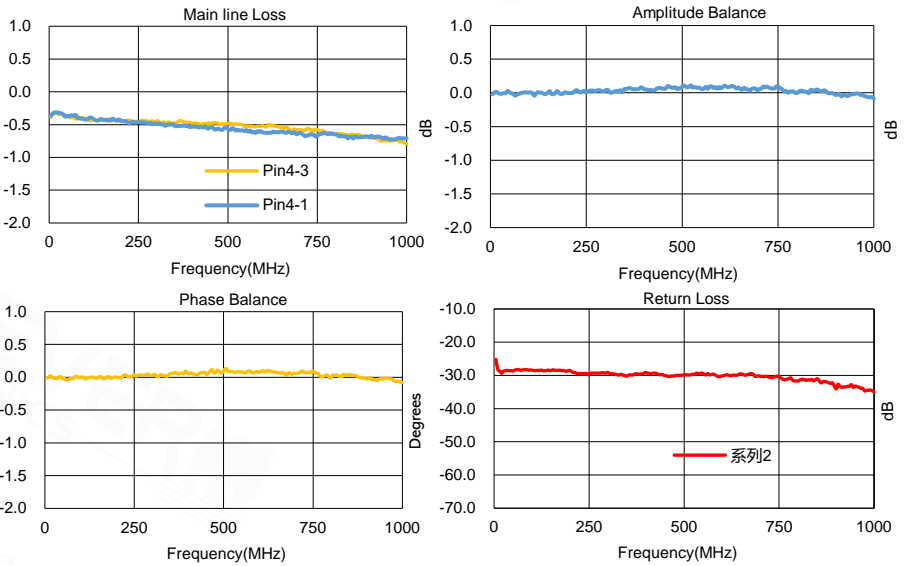
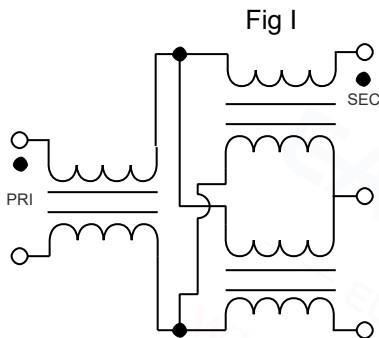
Applications

- For Dccsis 3.0&4.0Cable Modem.
- For Wideband Push-pull Amplifiers.
- For CATV Amplifiers Module & Set top box.
- For CATV Optical Receivers and Amplifiers.
- For VHF/UHF Transmitters and Push-pull Amplifiers.

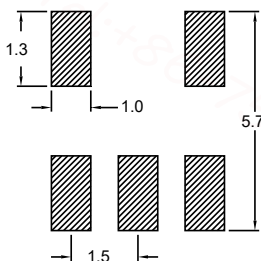
Electrical Specifications:TA=25 °C , 0dBm, Z0=75Ω

Parameter	Test Conditions	Units	Min	Typ	Max
Main line Loss (Pin4-3)	5-700MHz	dB	—	0.6	0.8
Main line Loss (Pin4-1)	5-700MHz	dB	—	0.6	0.8
Amplitude Balance	5-700MHz	dB	0.0	0.1	0.3
Phase Balance	5-700MHz	°	0.0	0.5	2.0
Input Return Loss(pin4)	5-700MHz	dB	20.0	30.0	—

Electrical structure



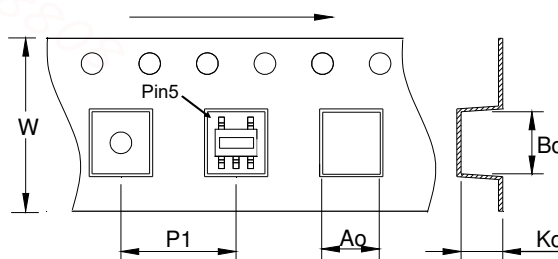
Recommended layout(mm)



Pin Connections

Input	4
Output 1	3
Output 2	1
Ground	2,5

Carrier Tape Orientation



Tape & Reel Information

Parameter	Units	Value
Qty per reel	PCS	2000
Reel Size	mm	330
Tape Width	mm	12.00
Pitch	mm	8.00
Ao	mm	4.50
Bo	mm	5.70
Ko	mm	3.60