

Features::

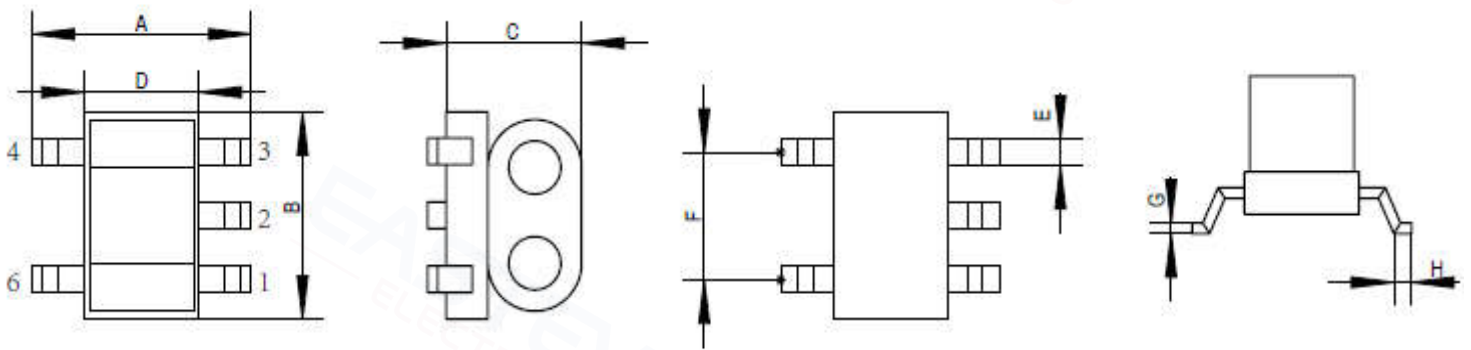
- ◆ 1: 2.78 Impedance
- ◆ 75Ω Characteristic Impedance
- ◆ Frequency: 45 to 1200 MHz
- ◆ RF power: 0.50W
- ◆ DC current: 30mA
- ◆ Insertion loss: 2.8dB Max; Input Return loss: 10.0dB Min
- ◆ Operating temperature range: -40°C to +85°C
- ◆ Storage temperature range: -55°C to +100°C



Applications:

- ◆ For broadband and wireless communications
- ◆ For VHF/UHF receivers/transmitters and push-pull amplifiers

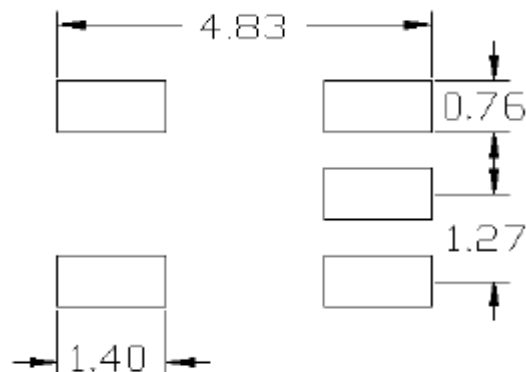
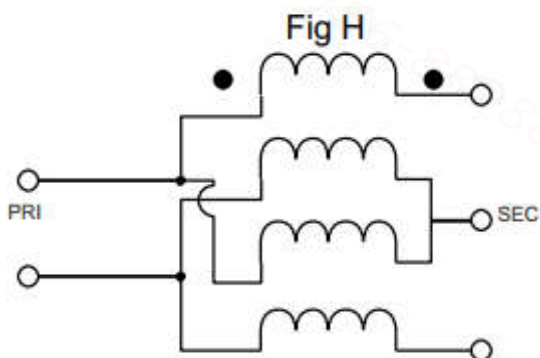
Dimension Diagram (Unit:mm) :



A=4.10±0.20 B=3.80±0.20 C=3.20±0.20 D=2.20±0.20 E=0.50±0.10 F=2.54±0.10 G=0.25±0.10 H=0.30±0.10

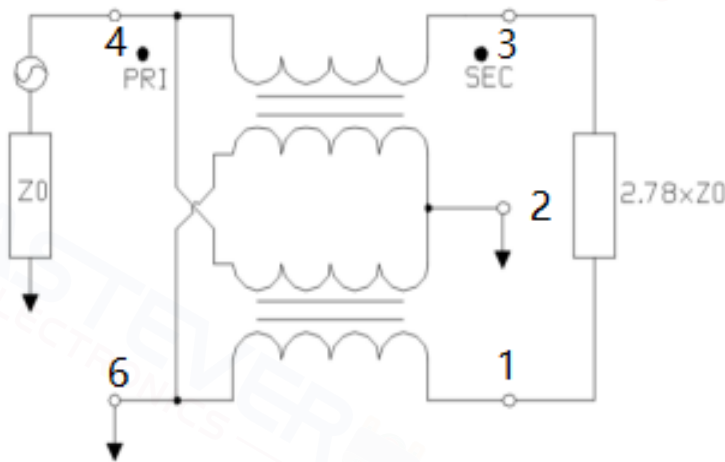
Electrical structure:

Recommended layout:



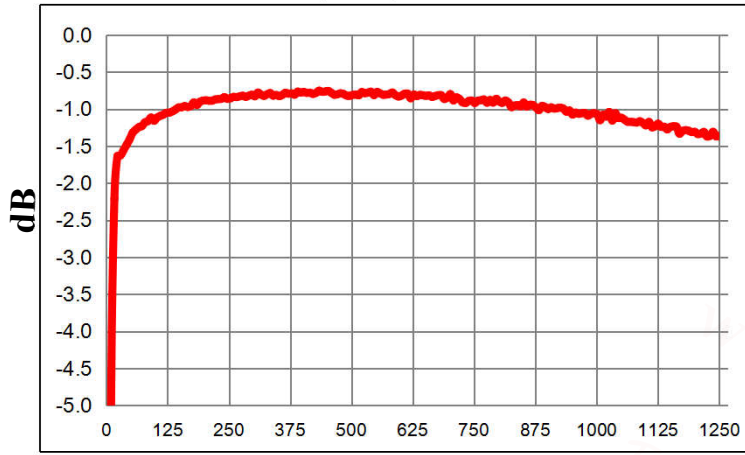
Pin configuration:

Pin No.	Function
1	Output2
2	Ground
3	Output1
4	Input
6	Ground

Application circuit :**Electrical Specifications: TA=25°C, 0dBm, Z0=75Ω:**

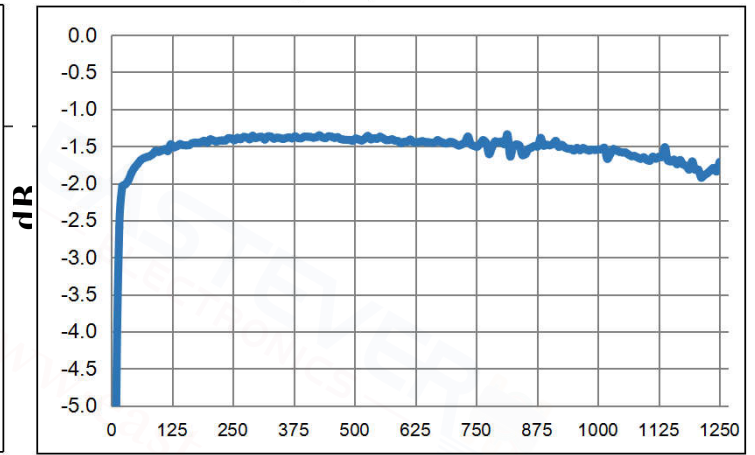
Parameter	Test Conditions	Units	Min	Typ	Max
Main line Loss(out1)	4-1250MHz	dB	-	1.2	2.5
Main line Loss(out2)	4-1250MHz	dB	-	1.5	2.8
Amplitude Balance	4-1250MHz	dB	—	0.5	±1.0
Phase Balance	4-1250MHz	Degrees	—	5.0	±25.0
Input Return Loss	4-1250MHz	dB	10.0	14.0	—

Main line Loss(out1)



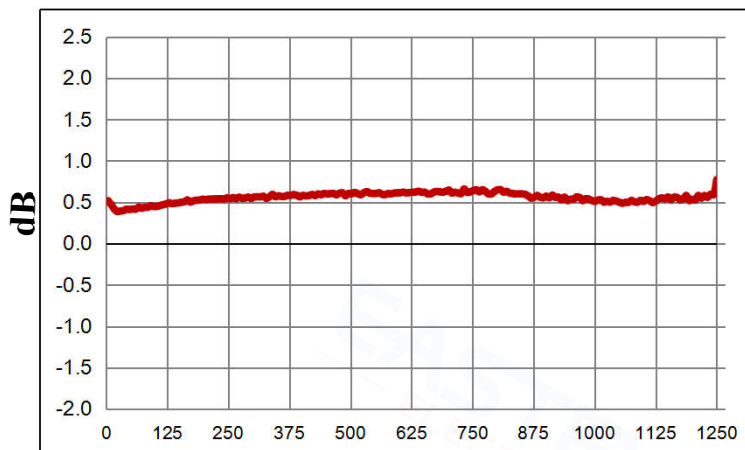
Frequency(MHz)

Main line Loss(out2)



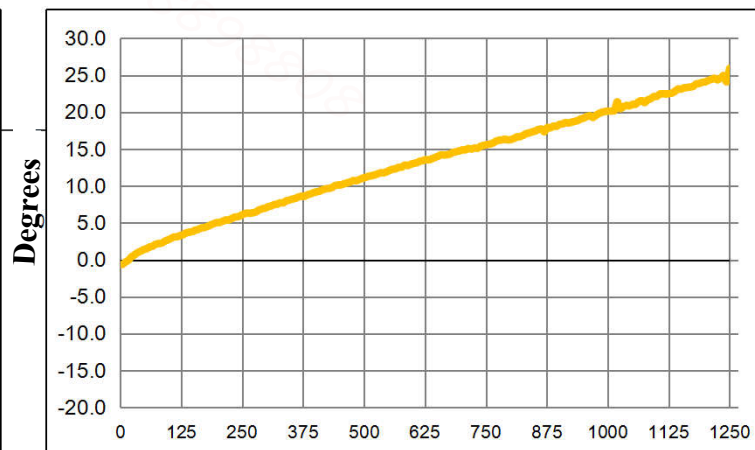
Frequency(MHz)

Amplitude Balance



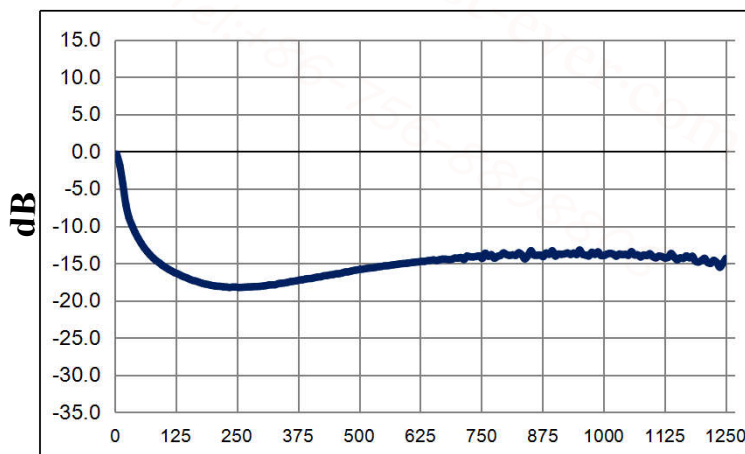
Frequency(MHz)

Phase Balance



Frequency(MHz)

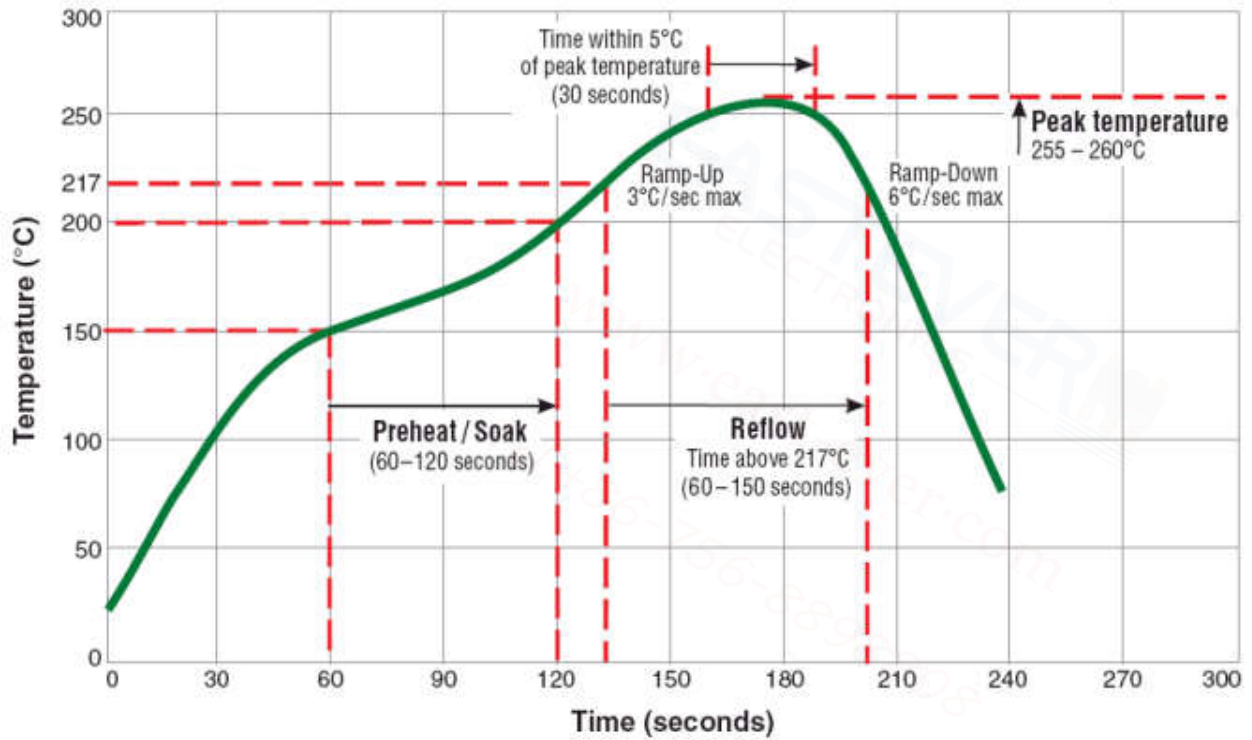
Input Return Loss



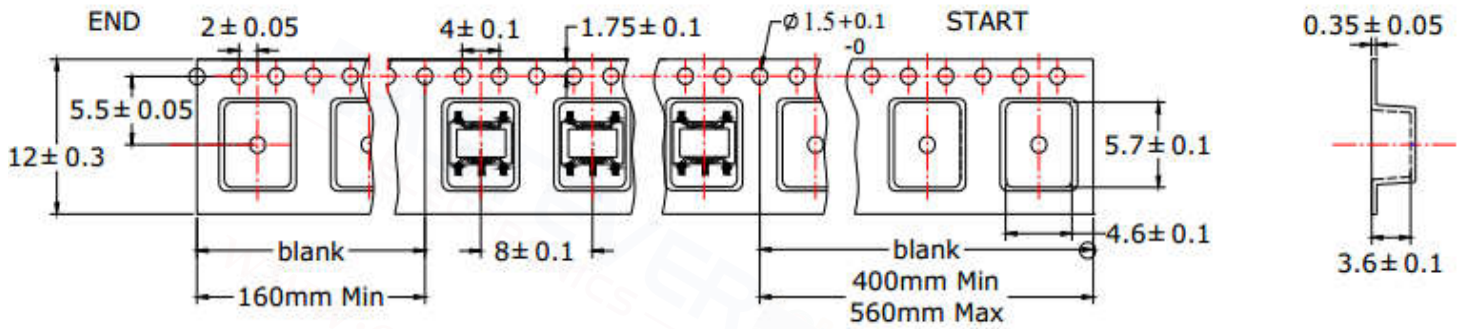
Frequency(MHz)

Recommended Soldering Temperature Graph:

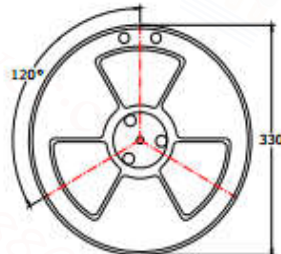
Typical RoHS Reflow Profile



Packing Dimension For Caeier Tape(UNIT:mm):



QUANTITY
2000PCS/Reel
4Reels/Middle Carton Middle Carton:
4 Middle Cartons/Big Carton
32000PCS/ Big Carton



SPEC	8	12	16	24
DIM A±0.1	8.5	12.5	16.5	24.5
DIM B±0.1	2.3	2.3	2.3	2.3
DIM C±0.1	100	100	100	100

