

RF Balun Transformer

EBB7420-G014144

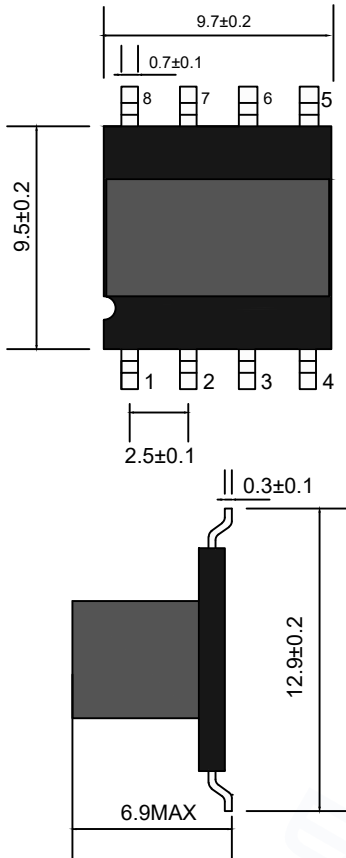
2020-04-07 Rev. 0



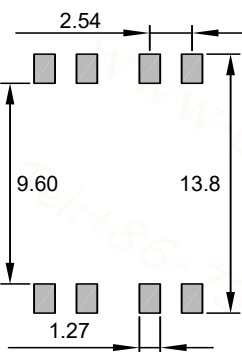
50Ω 1: 1 Flux Coupled Transformer

2-68 MHz

Mechanical Dimensions (in mm)

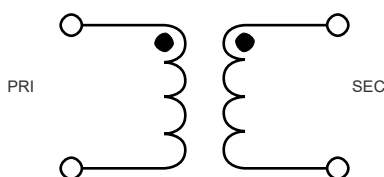


Recommended layout(mm)



Electrical structure

Fig B



Features

- Small size
- Low profile
- Low insertion loss
- 260°C Reflow Compatible
- RoHS compliant and lead free

Technical data

- Double-aperture transformer
- Frequency Range: 2 to 68 MHz
- Turns Ratio (TXRX:PL): 3:3
- Operating temperature: -40 °C to +85 °C
- Storage Temperature Range: -55 °C to +100 °C

Windngs

Winding	Wire	Star	Turns	End
1-4	TEX-E0.20-G	1	3.0	4
5-8	TEX-E0.20-G	5	3.0	8

Electrical Characteristics:TA=25°C

Property	Test Conditions	Typ	Units	Tolerance
Inductance Pin1-4	10KHz/1.0V	15.0	uH	±30%
Inductance Pin5-8	10KHz/1.0V	15.0	uH	±30%
DCR Pin1-4	@25°C	40.1	mΩ	Max
DCR Pin5-8	@25°C	40.1	mΩ	Max
Turns Ratio (1-4:5-8)		1:1		