

Features::

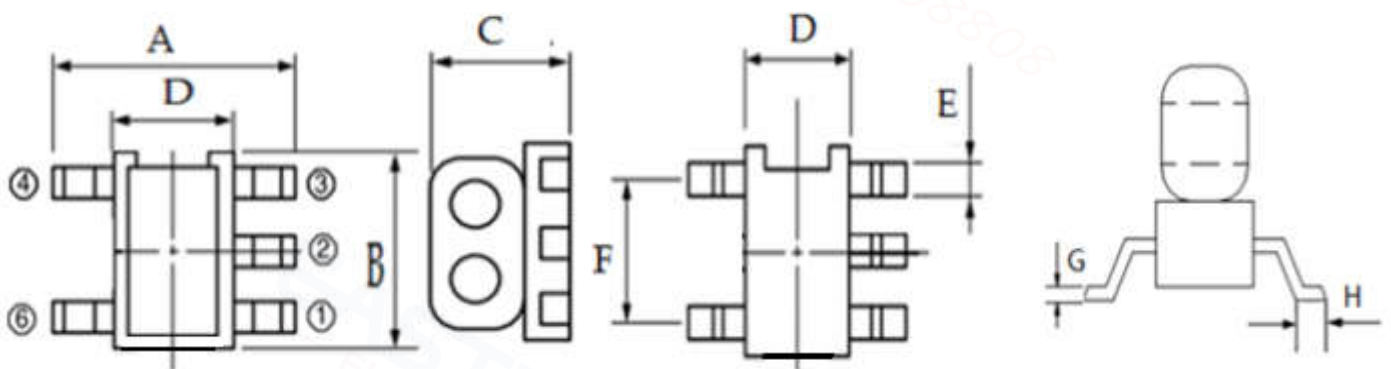
- ◆ 75 Ω Impedance, 700mA Max
- ◆ High Frequency, Low loss, Low cost
- ◆ Turns Ratio: 1-3:4-6=1:1.5±2%@20KHz, 1V
- ◆ Insertion loss: 2.0dB Max; Return loss: 12.0dB Min
- ◆ Operating temperature range: -40°C to +125°C
- ◆ Storage temperature range: -55°C to +145°C



Applications:

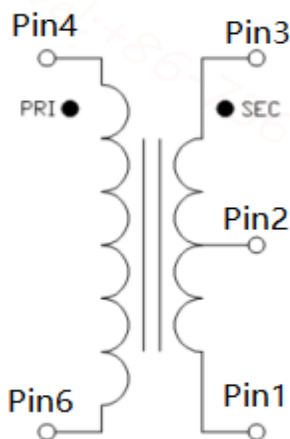
- ◆ For Docsis 3.1 Cable Modem
- ◆ For VHF/UHF receivers/transmitters and push-pull amplifiers

Dimension Diagram (Unit:mm) :

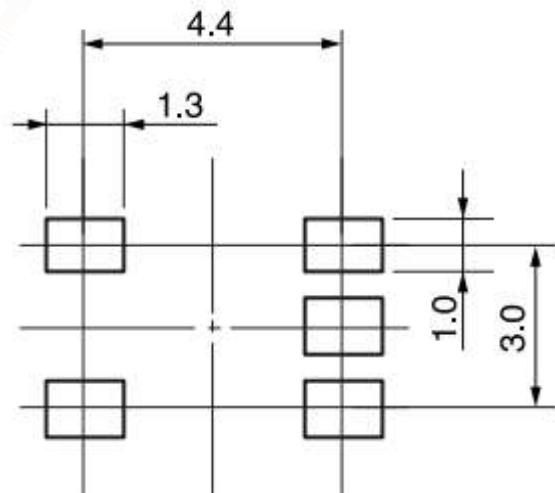


A=5.10±0.20 B=4.30±0.20 C=3.50Max D=2.60±0.20 E=0.50±0.05 F=3.00±0.10 G=0.25±0.05 H=0.60±0.10

Electrical structure:

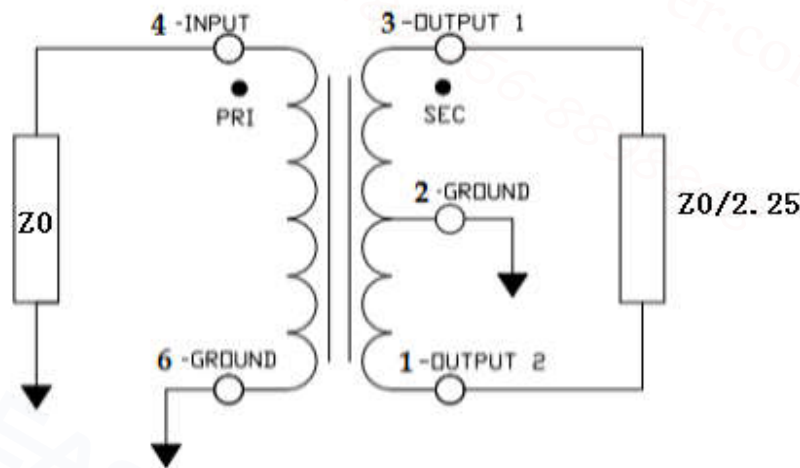


Recommended layout:



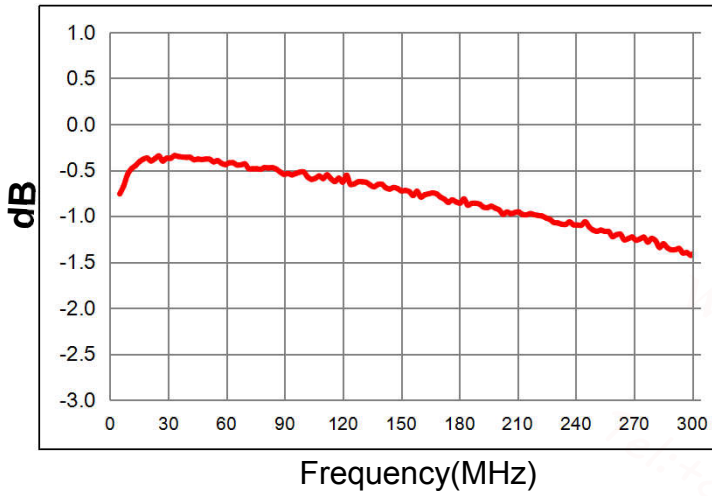
Pin configuration:

Pin No.	Function
1	Secondary (Output 2)
2	Centre tap (Ground)
3	Secondary dot (Output 1)
4	Primary dot (Input)
6	Primary (Ground)

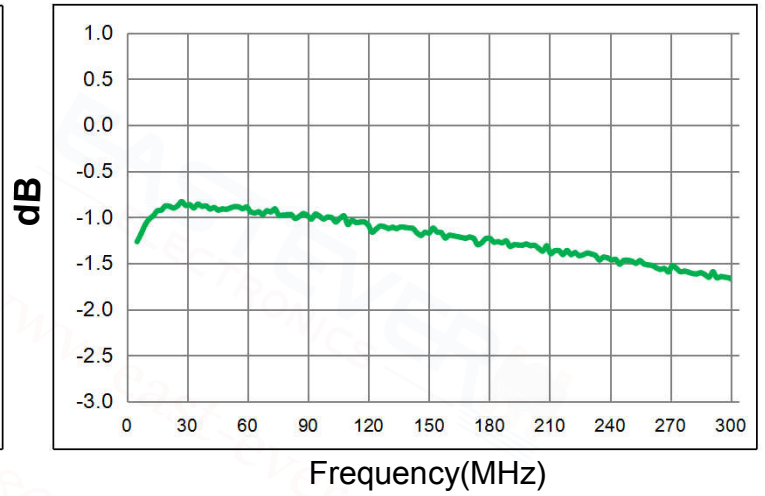
Application circuit :**Electrical Specifications: TA=25°C,0dBm,Z0=75Ω**

Parameter	Test Conditions	Units	Min	Typ	Max
Insertion Loss (Pin4-3)	5-50MHz	dB	—	0.4	0.6
Insertion Loss (Pin4-3)	50-205MHz	dB	—	0.8	1.2
Insertion Loss (Pin4-3)	205-300MHz	dB	—	1.3	1.7
Insertion Loss (Pin4-1)	5-50MHz	dB	—	0.7	0.9
Insertion Loss (Pin4-1)	50-205MHz	dB	—	1.1	1.3
Insertion Loss (Pin4-1)	205-300MHz	dB	—	1.5	2.0
Amplitude Balance	5-300MHz	dB	0.0	0.5	1.0
Phase Balance	5-300MHz	Degrees	0.0	2.0	10.0
Input Return Loss (Pin4)	5-50MHz	dB	15.0	25.0	—
Input Return Loss (Pin4)	50-205MHz	dB	12.0	20.0	—

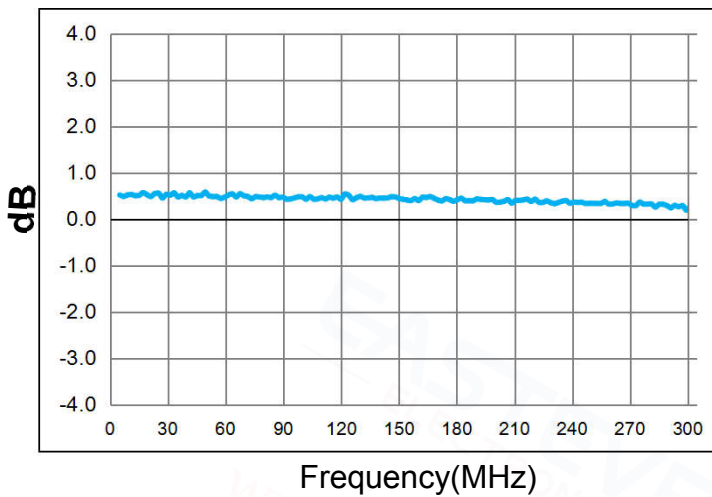
Insertion Loss (Pin4-3)



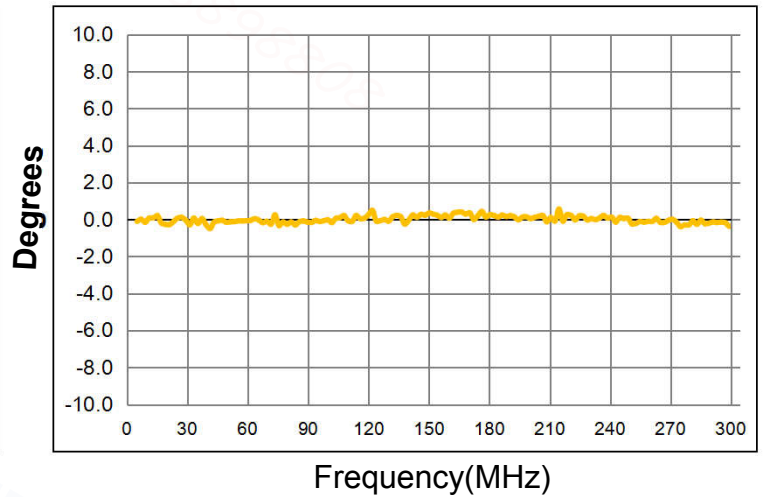
Insertion Loss (Pin4-1)



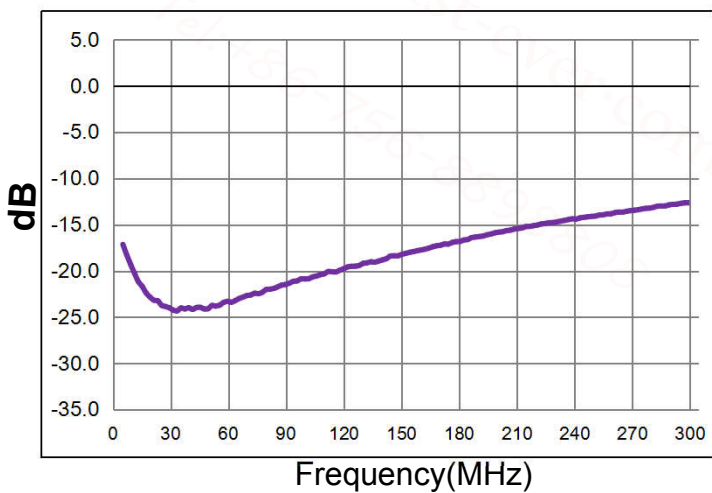
Amplitude Balance



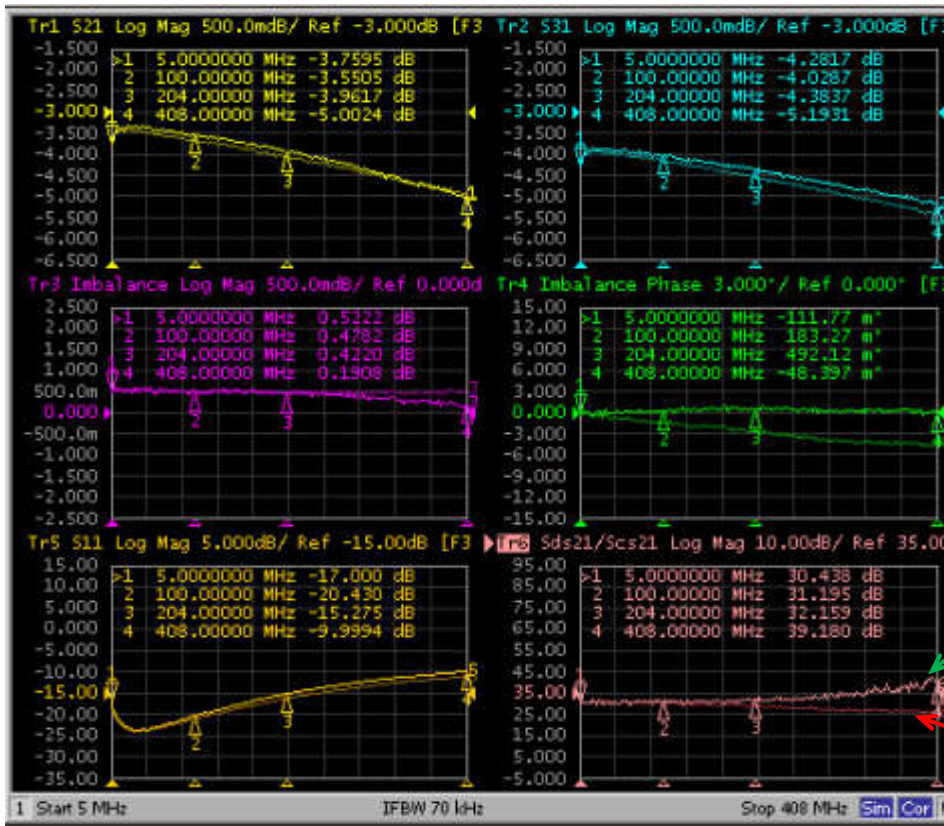
Phase Balance



Input Return Loss



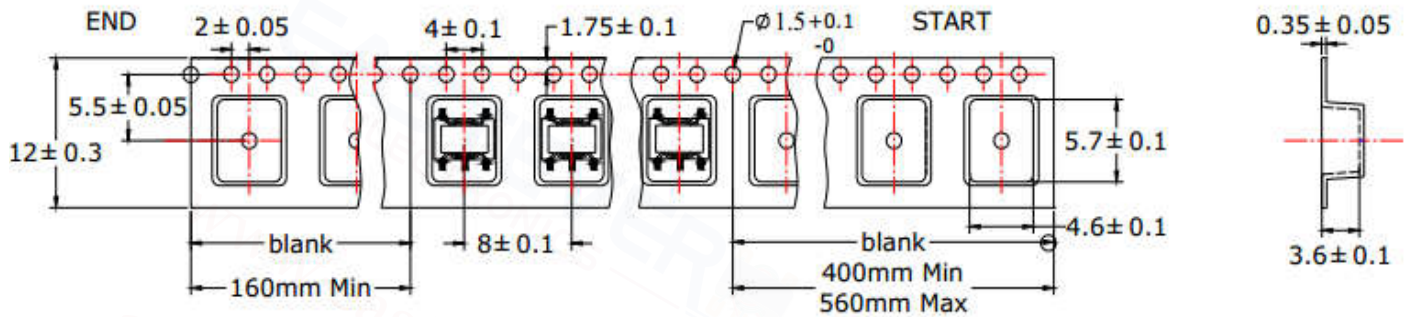
Network Analyzer Test Data Sheet Photos:



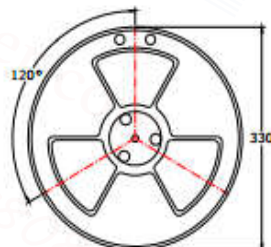
Eastever sample

Customer Sample

Packing Dimension For Caeier Tape(UNIT:mm):



QUANTITY
2000PCS/Reel
4Reels/Middle Carton Middle Carton:
4 Middle Cartons/Big Carton
32000PCS/ Big Carton



SPEC	8	12	16	24
DIM A±0.1	8.5	12.5	16.5	24.5
DIM B±0.1	2.3	2.3	2.3	2.3
DIM C±0.1	100	100	100	100

