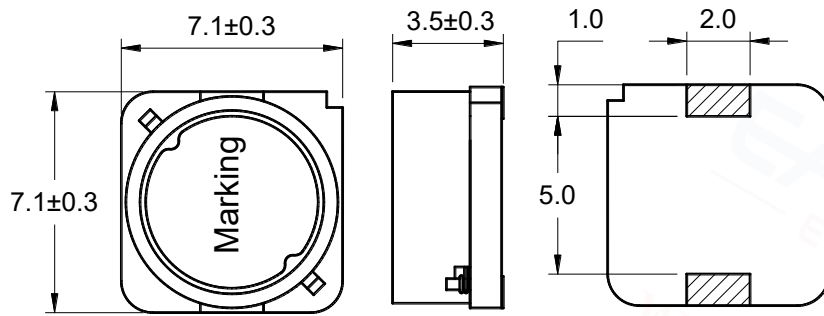


# SMD Power Inductor



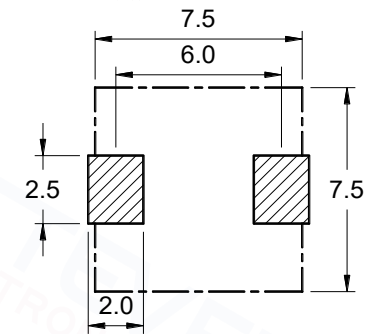
## 1 Appearance and dimensions (mm)

外形尺寸



## 2 Reference land pattern (mm)

参考基板尺寸



## 3 Electrical characteristics 电气特性

| Part No.<br>型号 | Inductance (μH)<br>电感值 ※1 | D.C.R. (mΩ)<br>直流电阻 |       | Saturation current (A)<br>饱和电流 ※2 |      | Temperature rise current (A)<br>温升电流 ※3 |
|----------------|---------------------------|---------------------|-------|-----------------------------------|------|---|
|                |                           | Typical             | Max   | Typical                           | Max  | Typical                                 |
| EB7035-1R0N    | 1.00 ±30%                 | 13.5                | 16.2  | 5.50                              | 4.40 | 4.88                                    |
| EB7035-1R5N    | 1.50 ±30%                 | 16.5                | 19.8  | 4.70                              | 3.76 | 4.41                                    |
| EB7035-2R2N    | 2.20 ±30%                 | 18.5                | 22.2  | 4.00                              | 3.20 | 4.17                                    |
| EB7035-3R3N    | 3.30 ±30%                 | 24.4                | 29.3  | 3.10                              | 2.48 | 3.63                                    |
| EB7035-4R7N    | 4.70 ±30%                 | 31.0                | 37.2  | 2.50                              | 2.00 | 3.22                                    |
| EB7035-6R8N    | 6.80 ±30%                 | 41.0                | 49.2  | 2.10                              | 1.68 | 2.80                                    |
| EB7035-8R2N    | 8.20 ±30%                 | 46.0                | 55.2  | 1.95                              | 1.56 | 2.64                                    |
| EB7035-100M    | 10.0 ±20%                 | 52.0                | 62.4  | 1.70                              | 1.36 | 2.49                                    |
| EB7035-150M    | 15.0 ±20%                 | 76.0                | 91.2  | 1.40                              | 1.12 | 2.06                                    |
| EB7035-220M    | 22.0 ±20%                 | 115                 | 138   | 1.15                              | 0.92 | 1.67                                    |
| EB7035-330M    | 33.0 ±20%                 | 168                 | 202   | 0.95                              | 0.76 | 1.38                                    |
| EB7035-470M    | 47.0 ±20%                 | 244                 | 293   | 0.78                              | 0.62 | 1.15                                    |
| EB7035-680M    | 68.0 ±20%                 | 312                 | 374   | 0.65                              | 0.52 | 1.01                                    |
| EB7035-820M    | 82.0 ±20%                 | 402                 | 482   | 0.60                              | 0.48 | 0.89                                    |
| EB7035-101M    | 100 ±20%                  | 470                 | 564   | 0.53                              | 0.42 | 0.83                                    |
| EB7035-151M    | 150 ±20%                  | 700                 | 840   | 0.45                              | 0.36 | 0.68                                    |
| EB7035-221M    | 220 ±20%                  | 923                 | 1,108 | 0.36                              | 0.29 | 0.59                                    |
| EB7035-331M    | 330 ±20%                  | 1,450               | 1,740 | 0.30                              | 0.24 | 0.47                                    |
| EB7035-471M    | 470 ±20%                  | 2,070               | 2,484 | 0.25                              | 0.20 | 0.39                                    |
| EB7035-681M    | 680 ±20%                  | 3,030               | 3,636 | 0.21                              | 0.17 | 0.33                                    |
| EB7035-821M    | 820 ±20%                  | 3,500               | 4,200 | 0.19                              | 0.15 | 0.30                                    |
| EB7035-102M    | 1,000 ±20%                | 4,600               | 5,520 | 0.17                              | 0.14 | 0.26                                    |

All data is tested based on 25°C ambient temperature. 所有测试数据基于环境温度25°C条件下测试。

※1. Inductance measure condition at 100kHz, 0.1V. 电感测试条件为100kHz, 0.1V。

※2. Saturation current the actual value of DC current when the inductance decrease 20% of its initial value.  
饱和电流: 电感值下降其初始值的20%时所加载的实际直流电流值。

※3. Temperature rise current the actual value of DC current when the temperature rise is ΔT40 (Ta=25).  
温升电流: 使产品温度上升到ΔT40°C时所加载的实际直流电流值(Ta=25°C)



Balun Transformer | Coupler | Divider | Inductor | Choke | Bead Air Coil | LAN Transformer