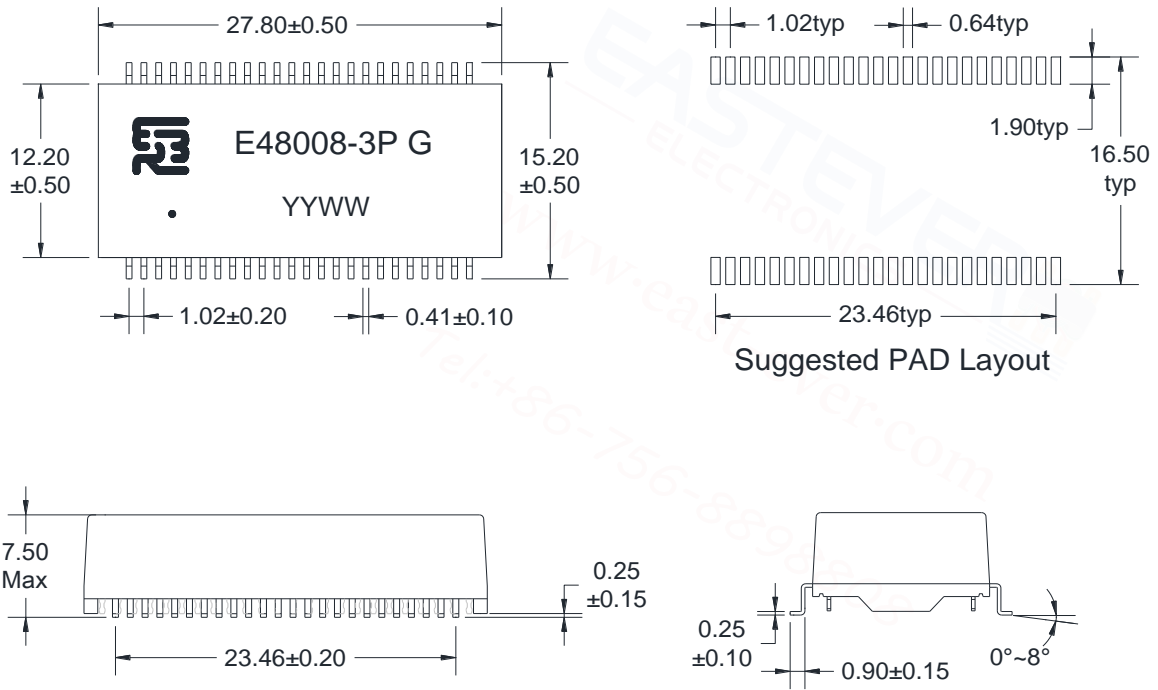
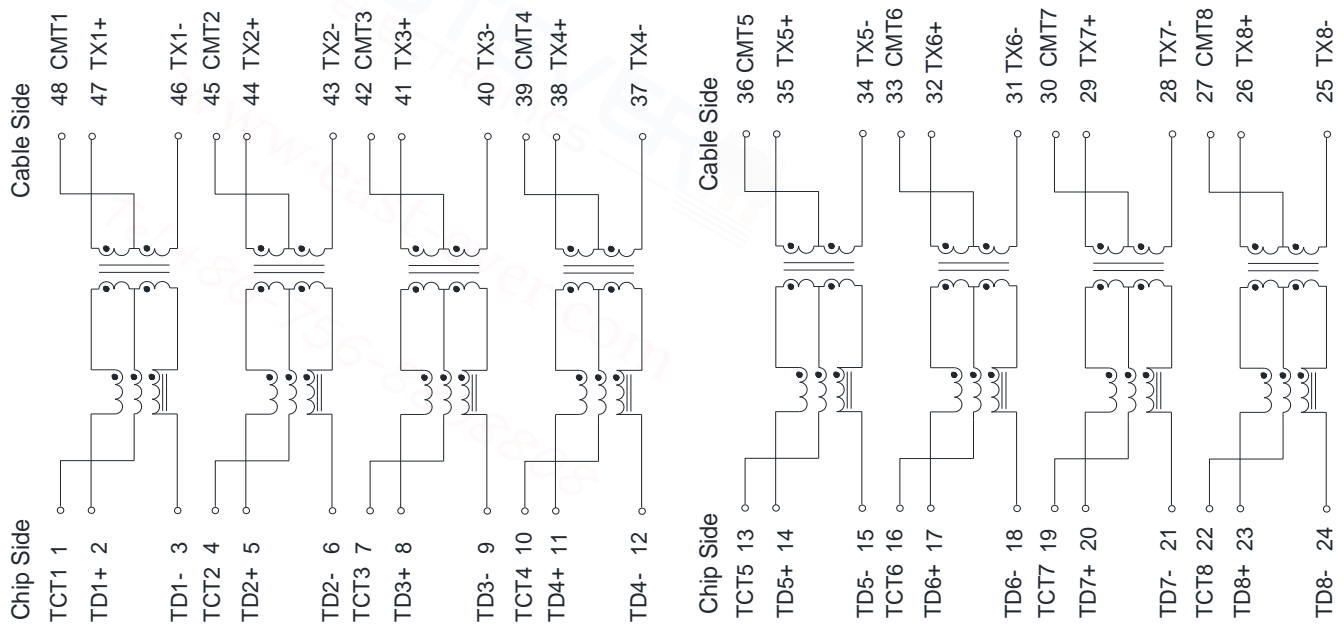


## A. MECHANICAL (unit:mm)



## B. SCHEMATICS



## C. ELECTRICAL SPECIFICATIONS @25°C

1. OCL: 350uH Min @ 100 KHz, 0.1V with 8mA DC BIAS
2. Leakage Inductance: 0.5uH Max @ 100KHz, 0.1V
3. DCR: 1.4 Ω Max
4. Turns Ratio: 1CT:1CT±5%
5. Insertion Loss:-1.2 dB Max @ 0.5-1 MHz  
-0.2-0.002\*f<sup>1.4</sup> dB Max @ 1-125 MHz
6. Return Loss:-16 dB Min @ 1-40 MHz  
-10+20\*log (f/80) dB Min @ 40.1-100 MHz
7. Cross Talk: -30 dB Min @ 1-100 MHz
8. Common Mode Rejection: -30 dB Min @ 1-100 MHz
9. Isolation Hipot: 1500VAC 1mA 60S
10. Operating temperature -40°C to +85°C
11. Storage temperature -40°C to +125°C
12. 720mA Current Capability--It is suitable for IEEE 802.3at

## D. PAGE INFORMATION

Package Quantity:

One Reel=350Pcs

One Inner Carton=350\*2=700Pcs

One Export Carton=700\*2=1400Pcs

