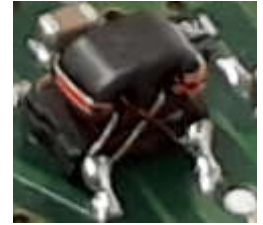


Features:



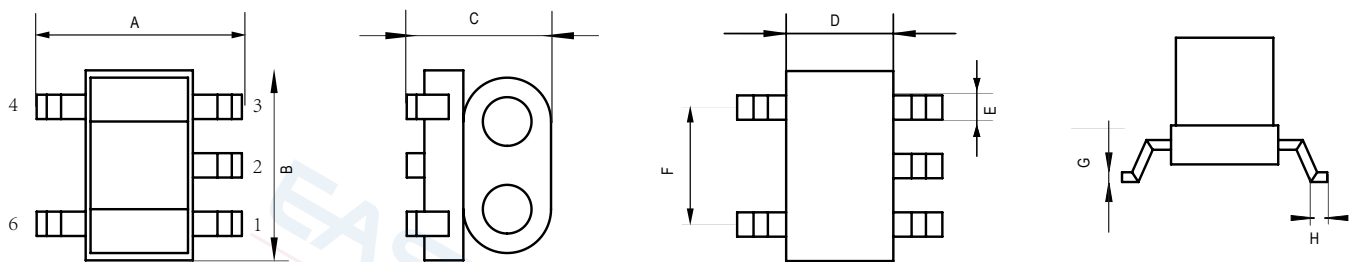
- ◆ Frequency Range: 5 to 1250 MHz
- ◆ Surface mount and available in tape and reel
- ◆ 260°C reflow compatible
- ◆ RoHS Compliant and Pb free
- ◆ Operating temperature range: -40°C to +85°C
- ◆ Storage temperature range: -55°C to +100°C



Applications:

- ◆ For Enabling CATV, Full Duplex and Docsis 3.1 applications
- ◆ For broadband and wireless communications

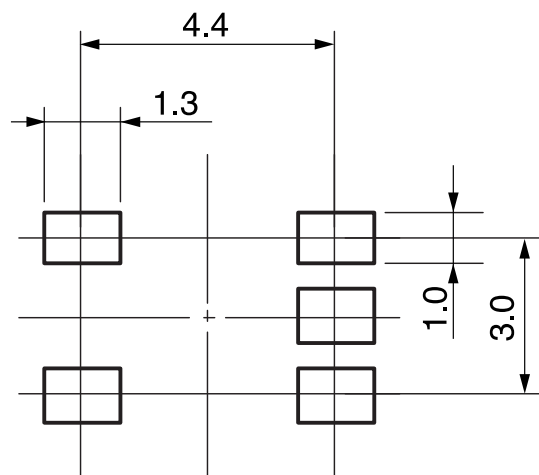
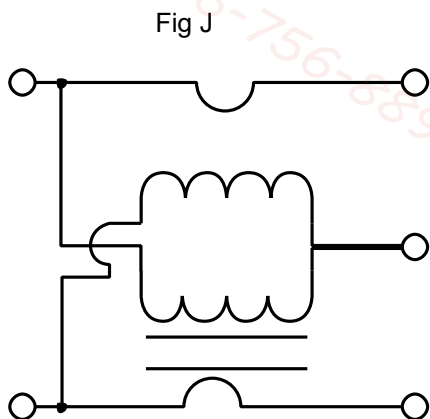
Dimension diagram (Unit:mm) :



A=5.10±0.20 B=4.30±0.20 C=4.20±0.20 D=2.80±0.20 E=0.50±0.10 F=3.00±0.10 G=0.40±0.10 H=0.80±0.10

Electrical structure:

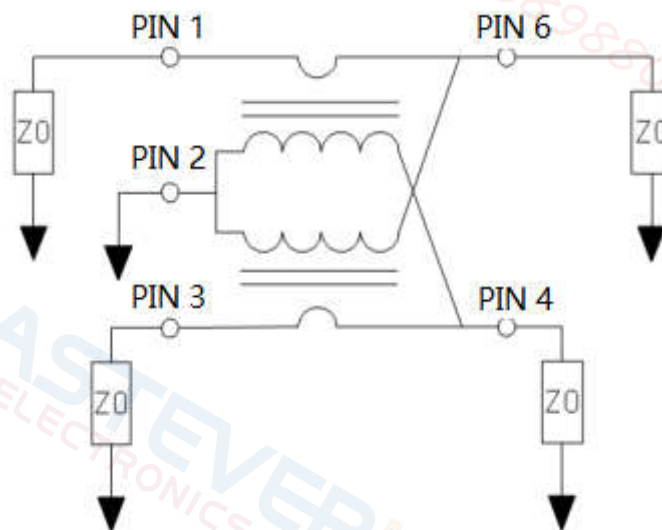
Recommended layout(mm):



Pin configuration:

Pin No	Function
1	Coupled
2	Ground
3	Input
4	Output
6	Terminated

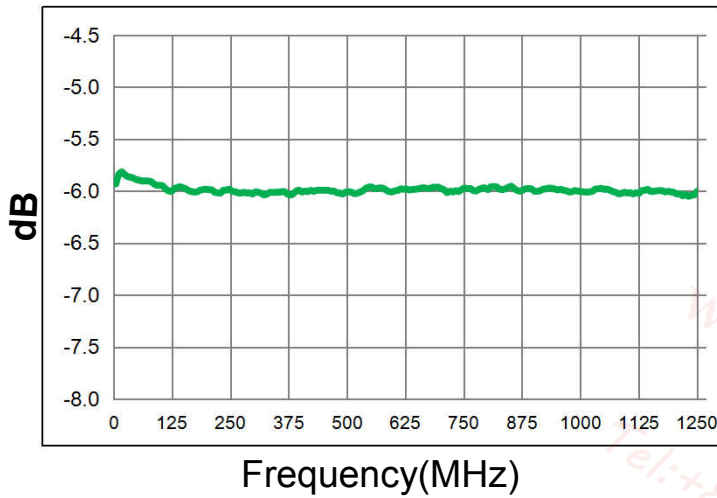
Application circuit :



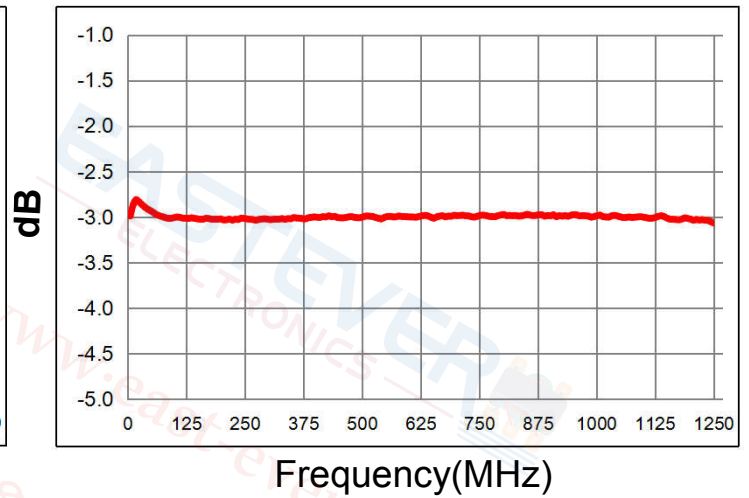
Electrical Specifications: TA=25°C, 0dBm, Z0=75Ω

Parameter	Test Conditions	Units	Min	Typ	Max
Coupling	5-1250MHz	dB	5.3	6.0	6.5
Main line Loss	5-1250MHz	dB	-	3.0	3.5
Input Return Loss	5-1250MHz	dB	12.0	15.0	-
Output Return Loss	5-1250MHz	dB	16.0	28.0	-
Coupling Return Loss	5-1250MHz	dB	8.0	12.0	-
Isolation	5-1250MHz	dB	18.0	21.0	-

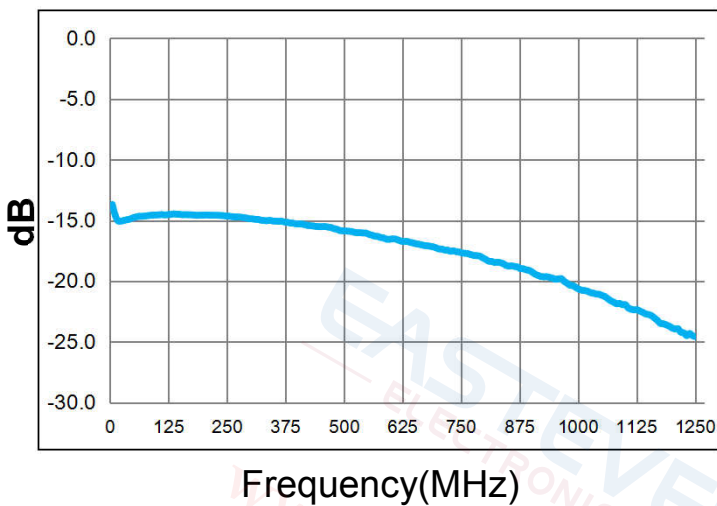
Coupling(pin3-1):



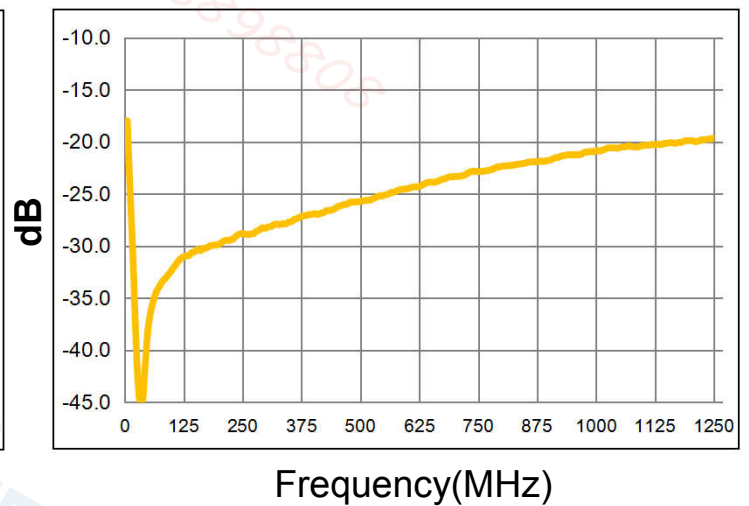
Main line Loss(pin3-4):



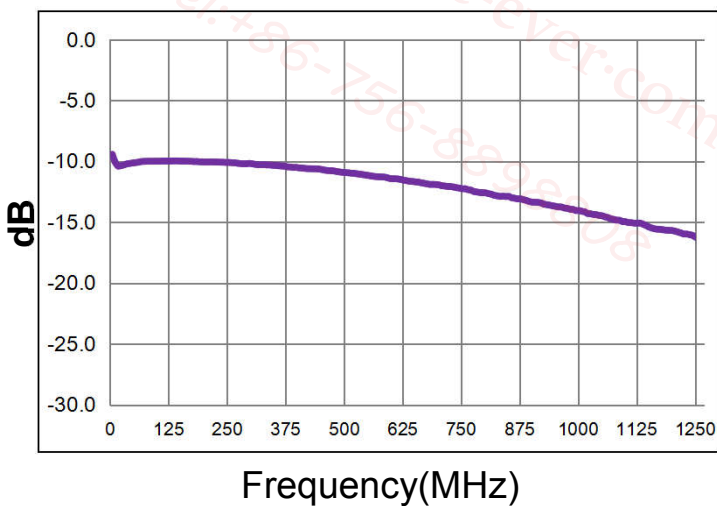
Input Return Loss (Pin3)



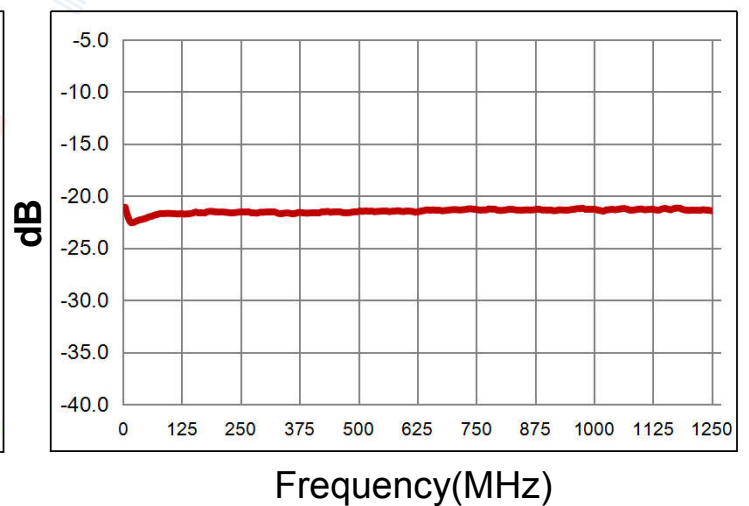
Output Return Loss (Pin4)



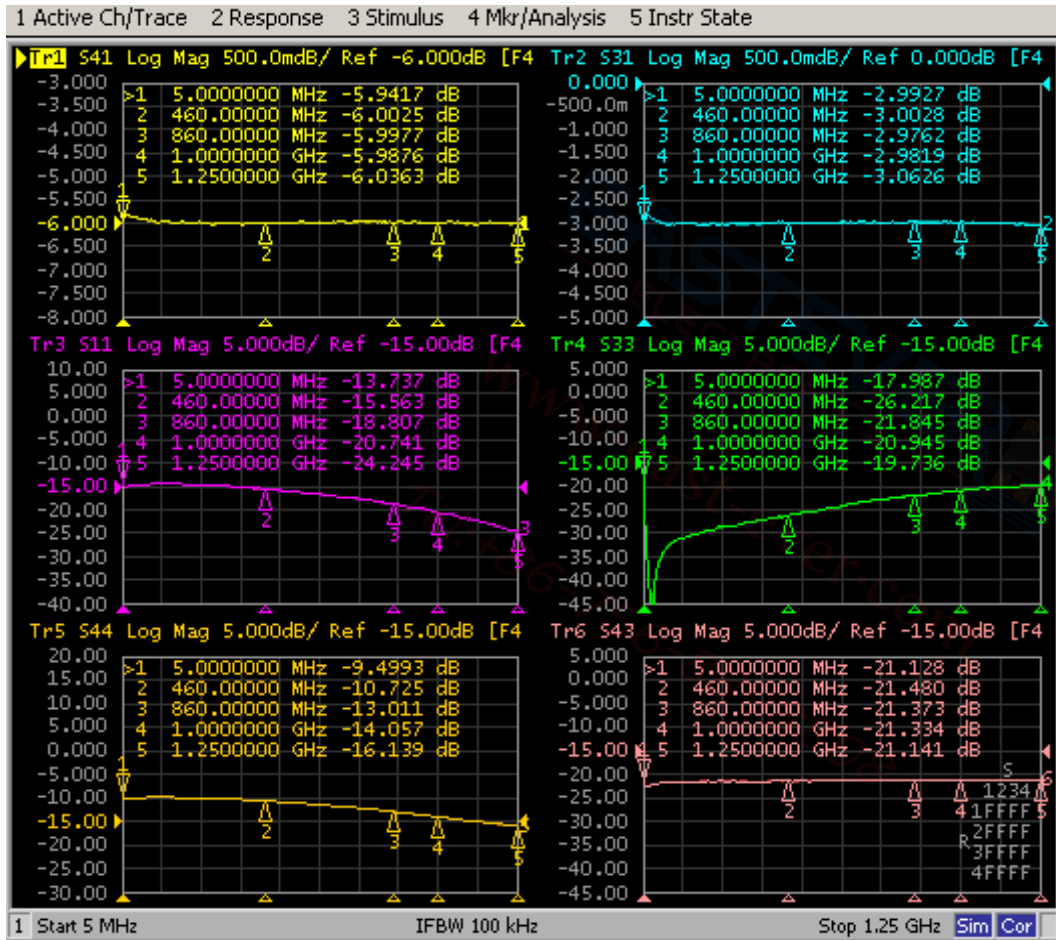
Coupling Return Loss (Pin1)



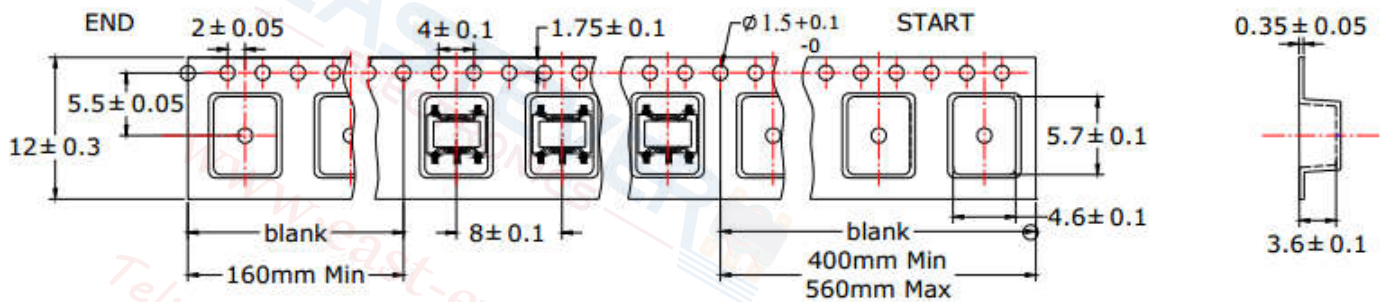
Isolation (Pin1-4)



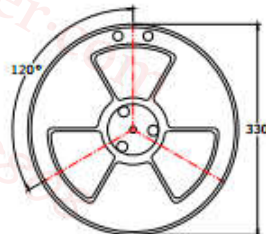
Network Analyzer Test Data Sheet Photos:



Packaging Dimension For Caeier Tape(UNIT:mm):



QUANTITY
2000PCS/Reel
4Reels/Middle Carton Middle Carton:
4 Middle Cartons/Big Carton
32000PCS/ Big Carton



SPEC	8	12	16	24
DIM A±0.1	8.5	12.5	16.5	24.5
DIM B±0.1	2.3	2.3	2.3	2.3
DIM C±0.1	100	100	100	100

